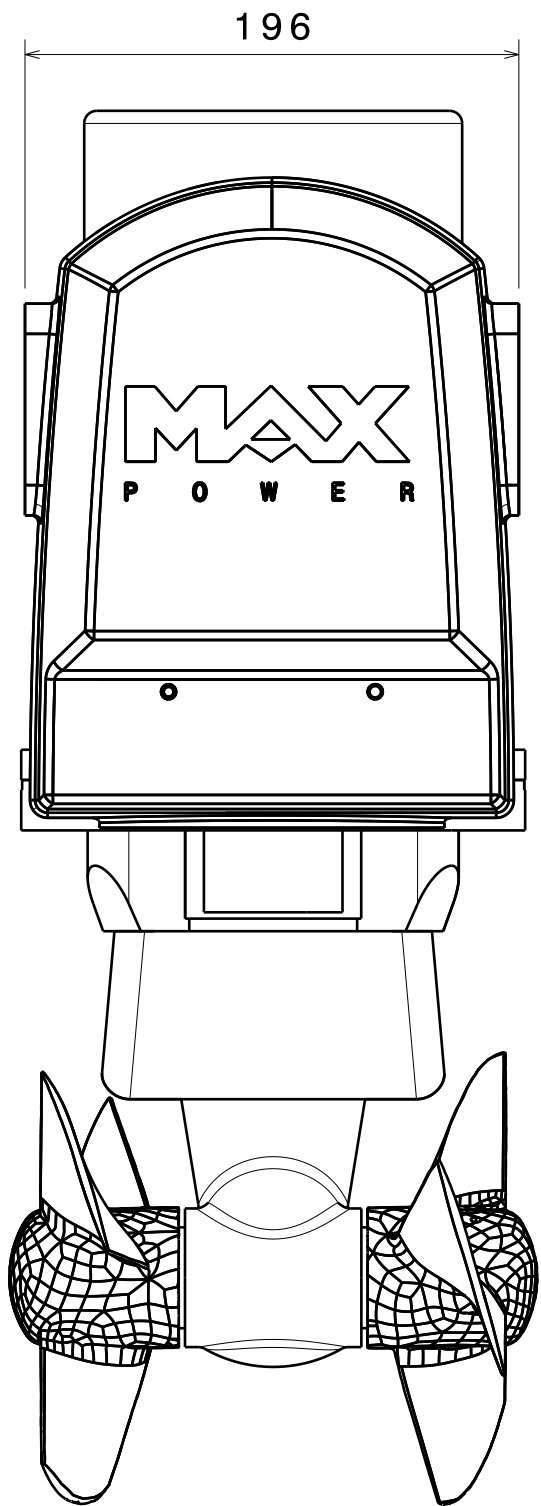
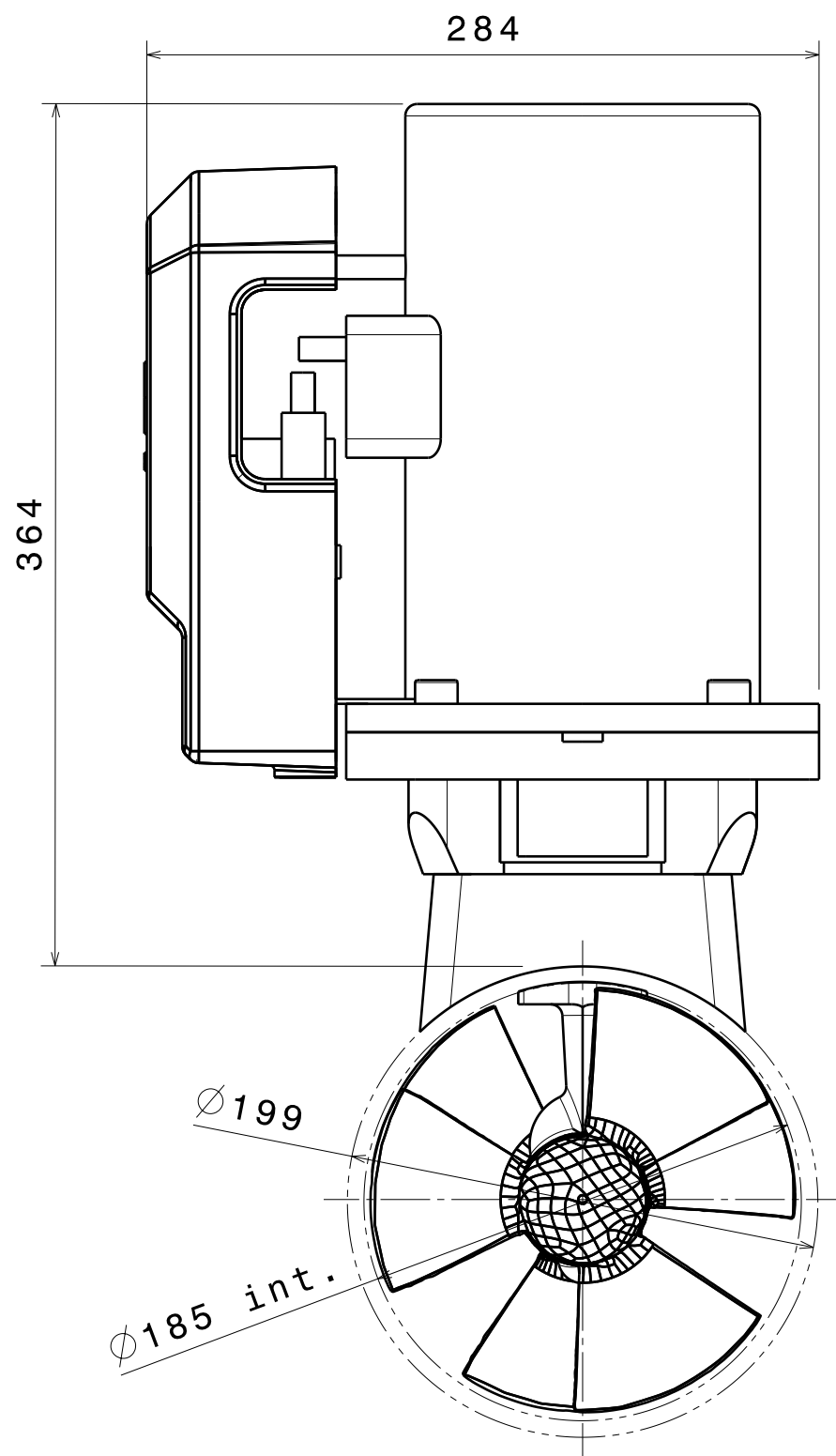


H G F E D C B A



EN CAS DE DOUTE, MERCI DE NOUS CONTACTER  
IN CASE OF DOUBT, PLEASE ASK

**NOTA :**  
Dimensions exprimées en mm  
Profondeur minimale d'immersion : un diamètre de turbine sous la ligne de flottaison  
! Attention aux modifications d'échelles lors de l'impression !

**NOTES :**  
Dimensions in mm  
Minimal immersion depth : one turbine diameter under the waterline  
! Be careful to scales modifications when printing !

|  |                    |                   |                              |                 |
|--|--------------------|-------------------|------------------------------|-----------------|
| This drawing is our property.<br>It can't be reproduced<br>or communicated without<br>our written agreement. |                    | <b>MAX POWER</b>  |                              |                 |
| DRAWING TITLE<br>MPSPC812&824 - CT100&125<br>general dimensions  |                    |                   |                              |                 |
| DRAWN BY<br><b>PBE</b>   | DATE<br>14/01/2009 | SIZE<br><b>A3</b> | DRAWING NUMBER<br><b>XXX</b> | REV<br><b>A</b> |
| CHECKED BY<br><b>XXX</b>   | DATE<br>xxx        | SCALE<br>1:3      | WEIGHT (kg)<br>24            | SHEET<br>1/1    |
| DESIGNED BY<br><b>XXX</b>  | DATE<br>xxx        |                   |                              |                 |

H G B A