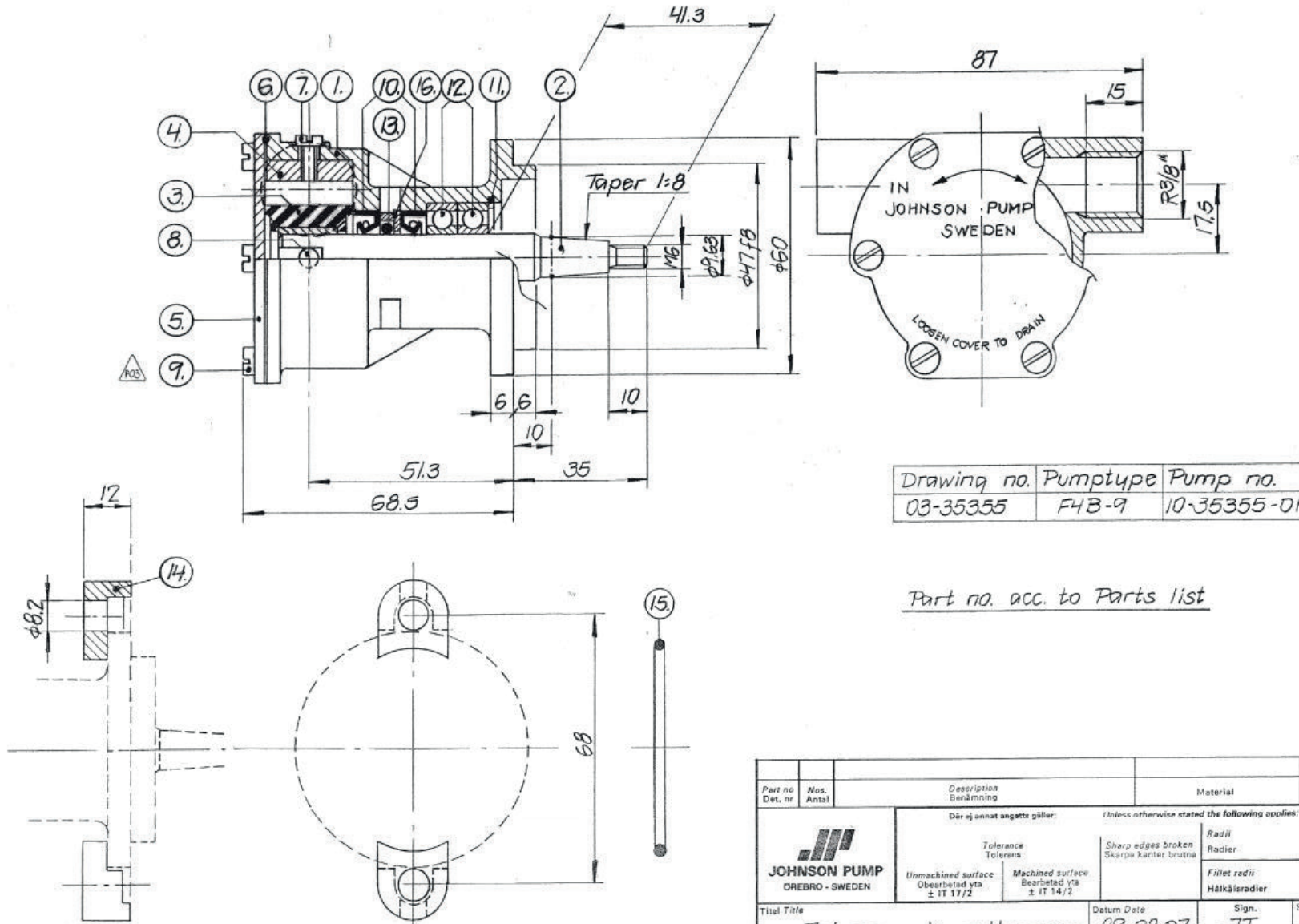


Toleranser enligt ISO		
Basic size and tolerance Basmått och tolerans	Limit deviation Gränsvärd	
	Upper övre	Lower Undre
47 f8	-0.025	-0.064



Drawing no.	Pumptype	Pump no.
03-35355	F4B-9	10-35355-01

Part no. acc. to Parts list

1517	P03	DB	Mtrl. i lockskruvar ändrat till SS.	970929	AN	JZ
003	P02	E 2	Ändring av lockstämpel	950628	IG	RJ
RM nr	Issue	Zone	Revision	Date	Sign.	

Godkänd av / Approved by

Devel.	Prod.	Qual.	Mech. works.
RJ			

Part no Det. nr	Nos. Antal	Description Benämning	Material	Drawing no. Ritnings nr
		Där ej annat angetts gäller: Unless otherwise stated the following applies:		
 JOHNSON PUMP DREBRO - SWEDEN		Tolerance Tolerans	Sharp edges broken Skarpa kanter brutna	Surface roughness Ra µm Ytjämnhet Ra µm
		Unmachined surface Oberbehand yta ± IT 17/2	Machined surface Bearbetad yta ± IT 14/2	Radii Radier
Titel Title		Datum Date	Sign.	Skala Scale
Johnson Impellerpump Type F4B-9, 10-35355-01		89-08-07	JT	1:1
		Ritnings nr Drawing no.	Utgåva Issue	
		03-35355	P03	

F4B-9
Art. No.

Impeller pump
10-35355-01

Part. No.	Description GB	Position	Quantity
0,0279,300	SCREW M4X8 ISO1207 A4	9	6
0,0371,028	RETAIN. RING BORE D28 DIN472 SPRST	11	1
0,2173,401	O-RING 11.1X1.6 SS1586 NBR70	13	1
0,2173,473	O-RING 49.6X2.4 SS1586 NBR70	15	1
0,2233,010	LIP SEAL 12X24X7 DPSM	10	2
0,3431,441	BALL BEARING 6001 ST	12	2
01-35099-2	BODY F4B-9	1	1
01-42389	CAM 1/1 F4B-	4	1
01-43238	CLAMP F35/F4B-9	14	2
01-45282	ENDCOVER F4B-9	5	1
01-45284	GASKET F4B-9	6	1
01-45955	WASHER F35/F4B-9	16	1
01-46167	SHAFT F4B-9	2	1
01-46794-03	SCREW 8-32UNCX8	7	1
08-810B-1	IMPELLER	3	1