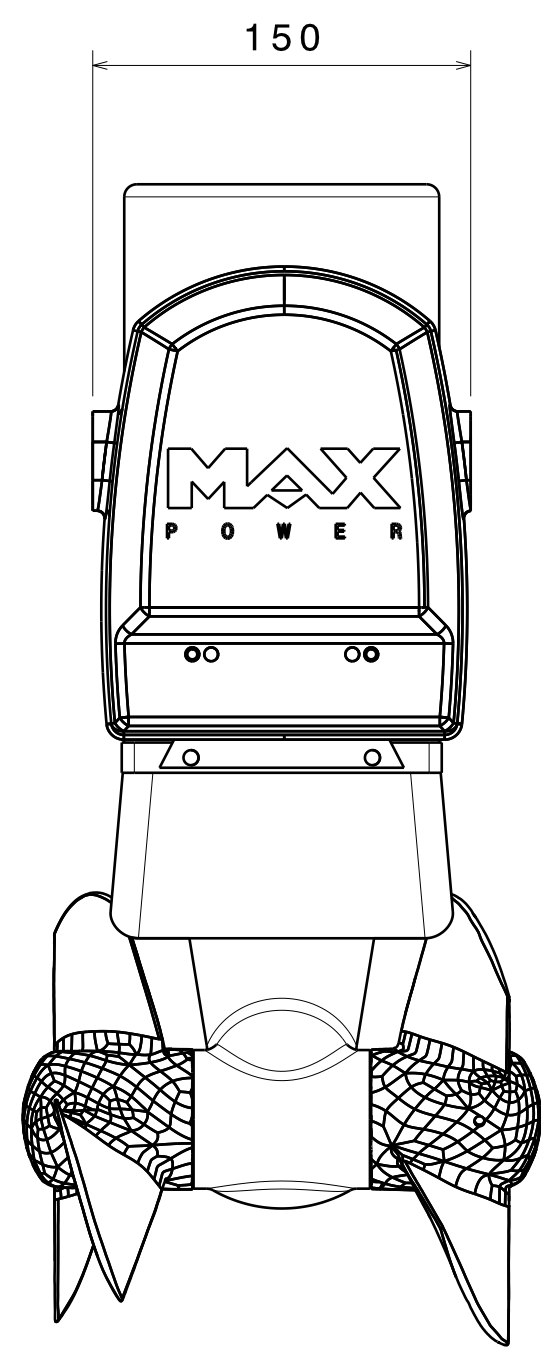
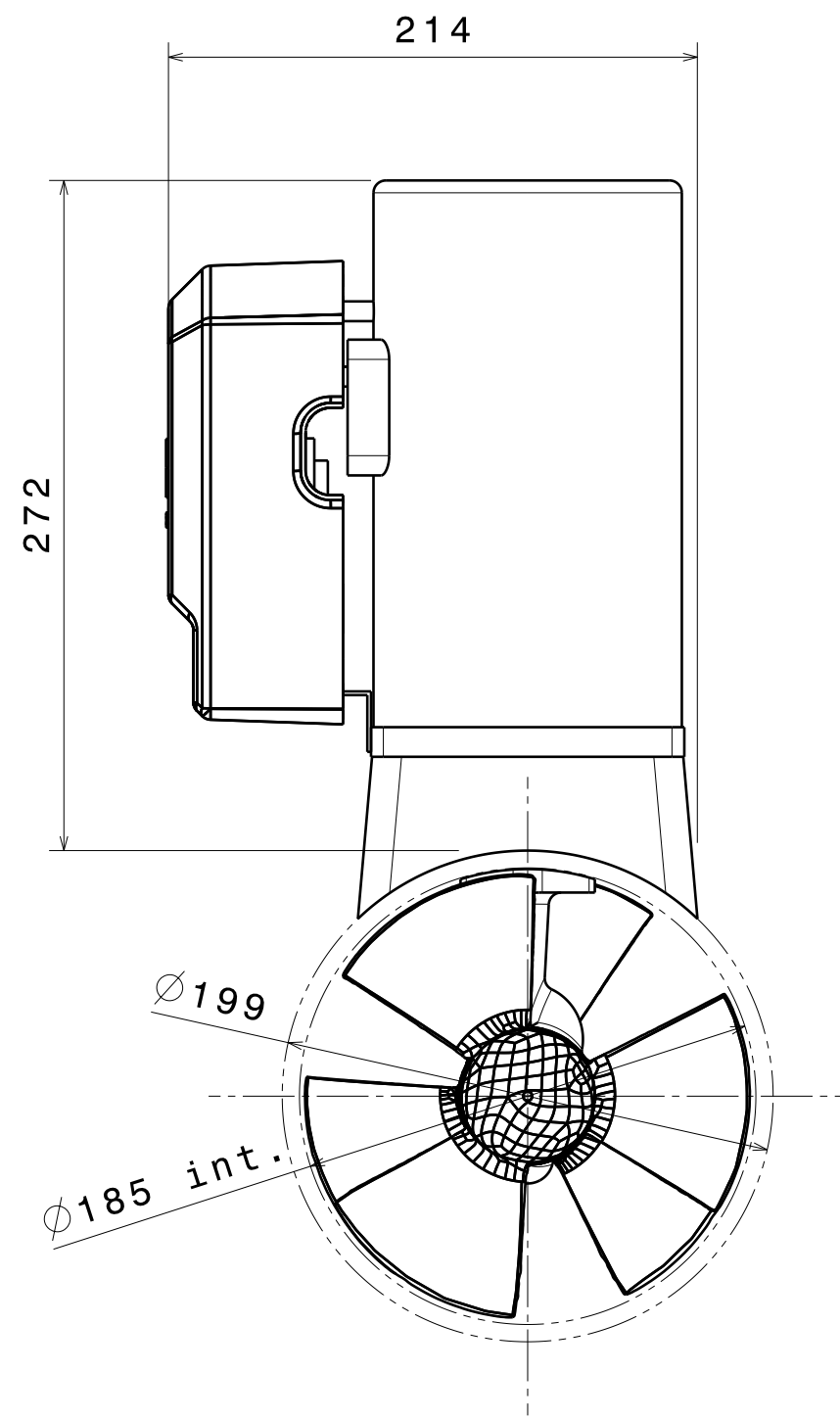


H G F E D C B A



EN CAS DE DOUTE, MERCI DE NOUS CONTACTER
 IN CASE OF DOUBT, PLEASE ASK

NOTA :
 Dimensions exprimées en mm
 Profondeur minimale d'immersion : un diamètre de turbine sous la ligne de flottaison
 ! Attention aux modifications d'échelles lors de l'impression !

NOTES :
 Dimensions in mm
 Minimal immersion depth : one turbine diameter under the waterline
 ! Be careful to scales modifications when printing !

This drawing is our property. It can't be reproduced or communicated without our written agreement.		MAX POWER		
DRAWING TITLE		MPSPC512&524 - CT80 general dimensions		
DRAWN BY PBE	DATE 14/01/2009	SIZE A3	DRAWING NUMBER XXX	REV A
CHECKED BY XXX	DATE XXX	SCALE 1:3	WEIGHT (kg) 15.1	SHEET 1/1
DESIGNED BY XXX	DATE XXX			

H G B A