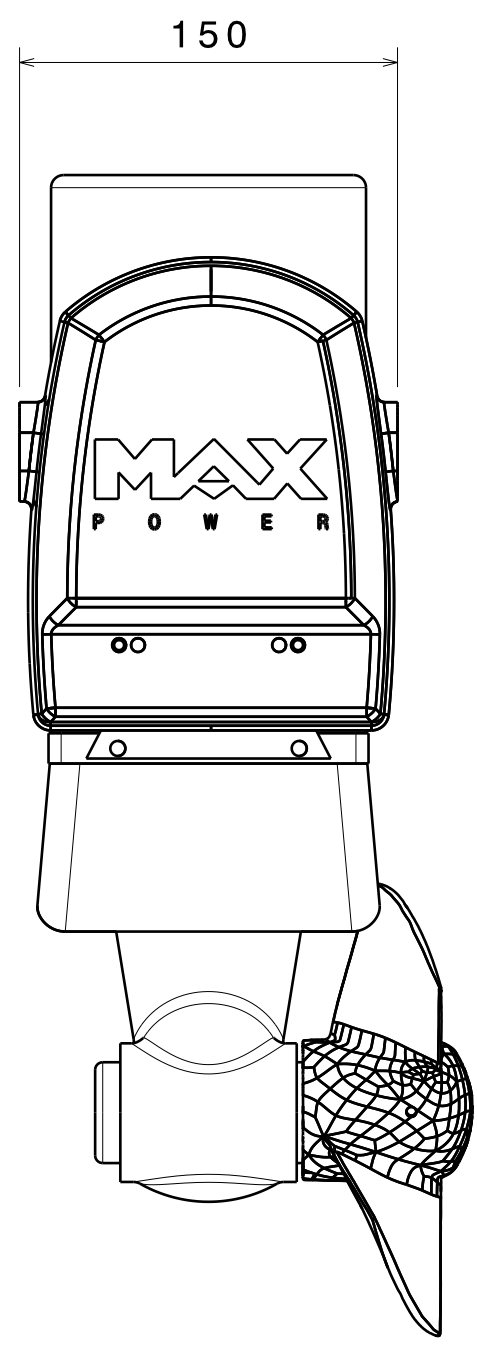
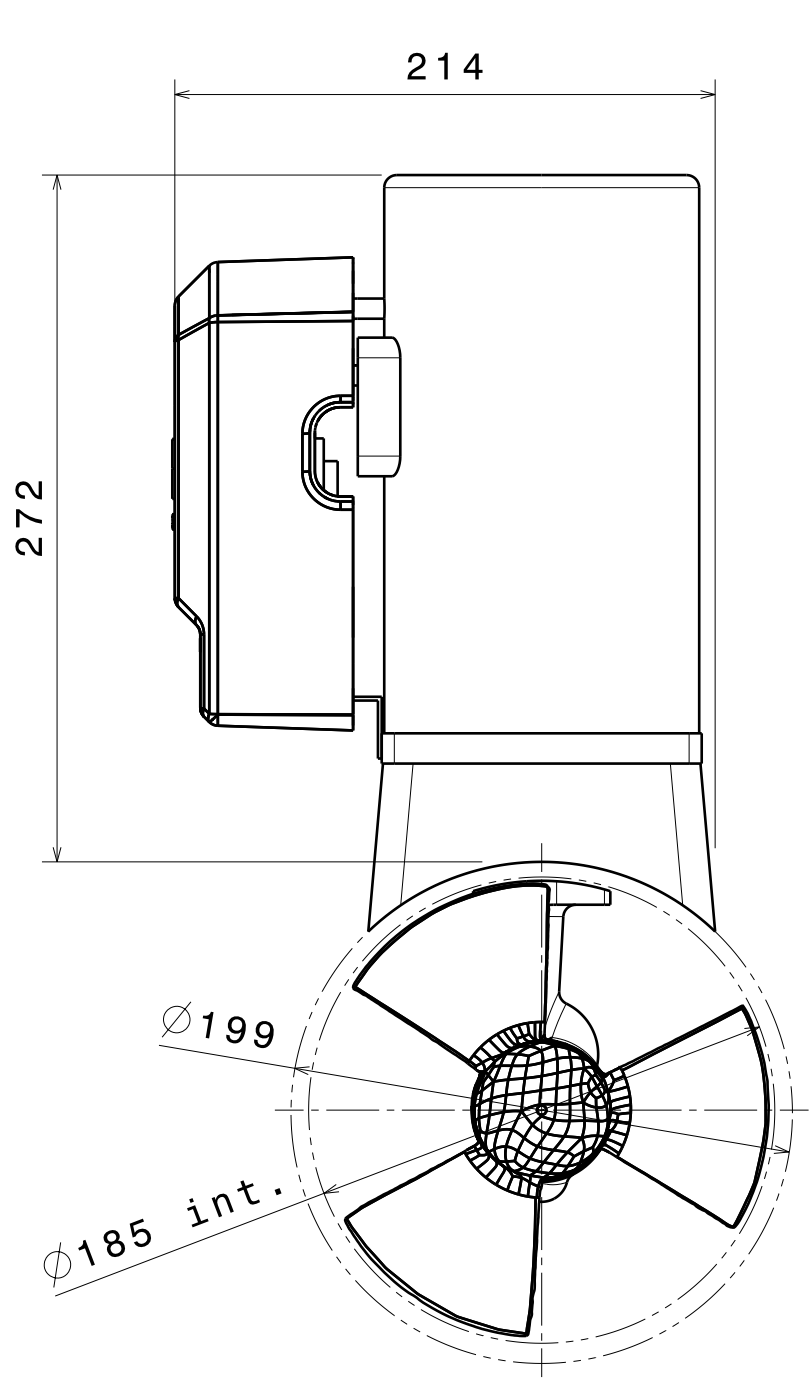


H G F E D C B A



EN CAS DE DOUTE, MERCI DE NOUS CONTACTER
 IN CASE OF DOUBT, PLEASE ASK

NOTA :
 Dimensions exprimées en mm
 Profondeur minimale d'immersion : un diamètre de turbine sous la ligne de flottaison
 ! Attention aux modifications d'échelles lors de l'impression !

NOTES :
 Dimensions in mm
 Minimal immersion depth : one turbine diameter under the waterline
 ! Be careful to scales modifications when printing !

This drawing is our property. It can't be reproduced or communicated without our written agreement.		MAX POWER			
DRAWN BY PBE		DATE 14/01/2009		DRAWING TITLE MPSPC412&424 - CT60 general dimensions	
CHECKED BY XXX		DATE XXX		SIZE A3	DRAWING NUMBER XXX
DESIGNED BY XXX		DATE XXX		SCALE 1:3	WEIGHT (kg) 14.7
				SHEET	1/1

4
3
2
1

4
3
2
1

H G B A