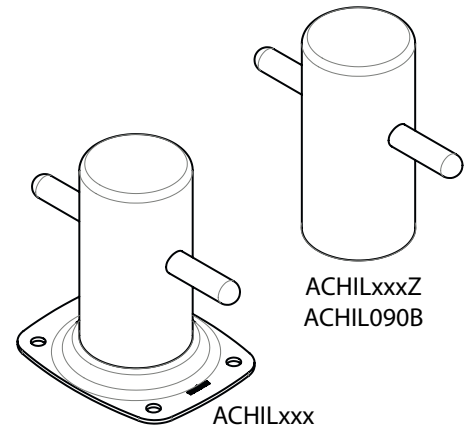
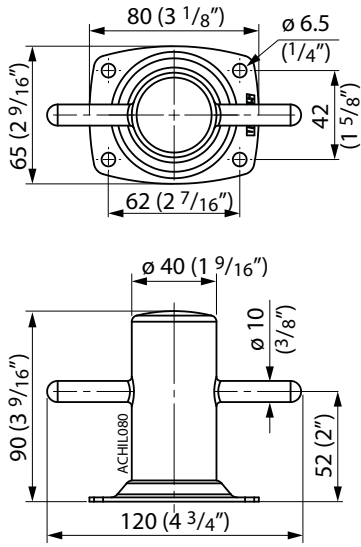


**Cleat** : Cleat type ACHILLES  
**Application** : Deck bollard for pleasure craft  
**Material** : Stainless steel AISI 316  
**Construction** : High gloss polished  
**Weight** : See table  
**Relevant CE Standards** : Non  
**Classification** : Non

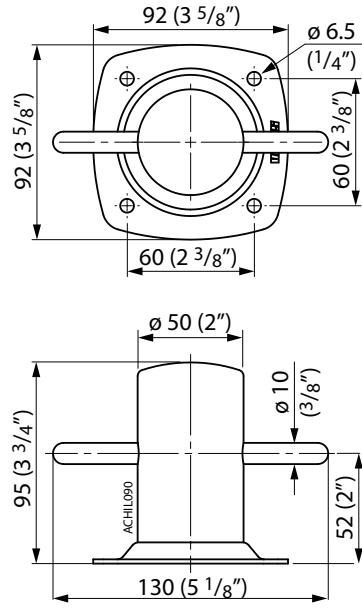


Model	Safe Working Load			Weight	
	kN	kgf	lbf	kg	lbs
ACHIL080	6.1	620	1370	0.32	0.70
ACHIL090	6.1	620	1370	0.43	0.95
ACHIL110	11.3	1150	2540	0.67	1.48
ACHIL130	11.3	1150	2540	1.3	2.9
ACHIL150	17.7	1800	3970	1.9	4.2
ACHIL160	25.7	2620	5780	2.2	4.9
ACHIL080Z	6.1	620	1370	0.25	0.55
ACHIL090Z	6.1	620	1370	0.30	0.66
ACHIL110Z	11.3	1150	2540	0.50	1.10
ACHIL130Z	11.3	1150	2540	0.75	1.65
ACHIL150Z	17.7	1800	3970	0.96	2.11
ACHIL160Z	25.7	2620	5780	1.45	3.20
ACHIL090B	6.1	620	1370	0.37	0.82

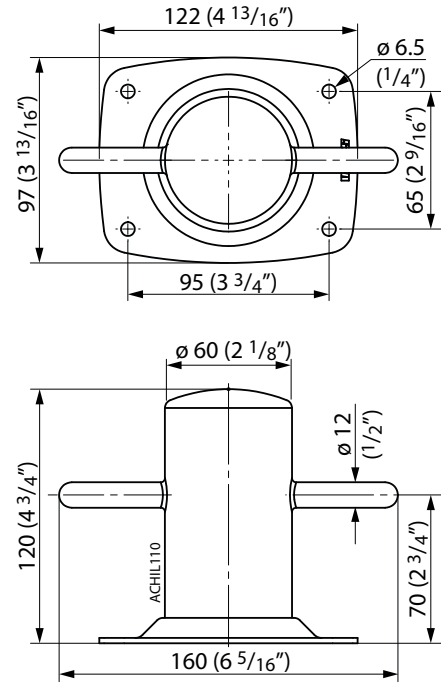
ACHIL080



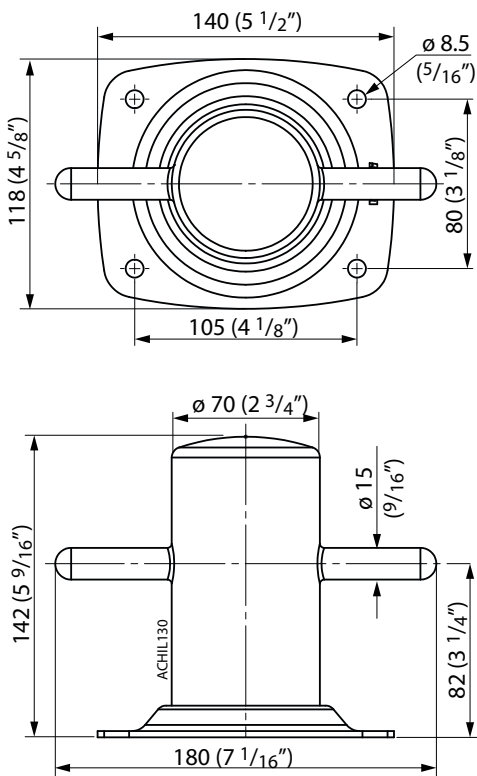
ACHIL090



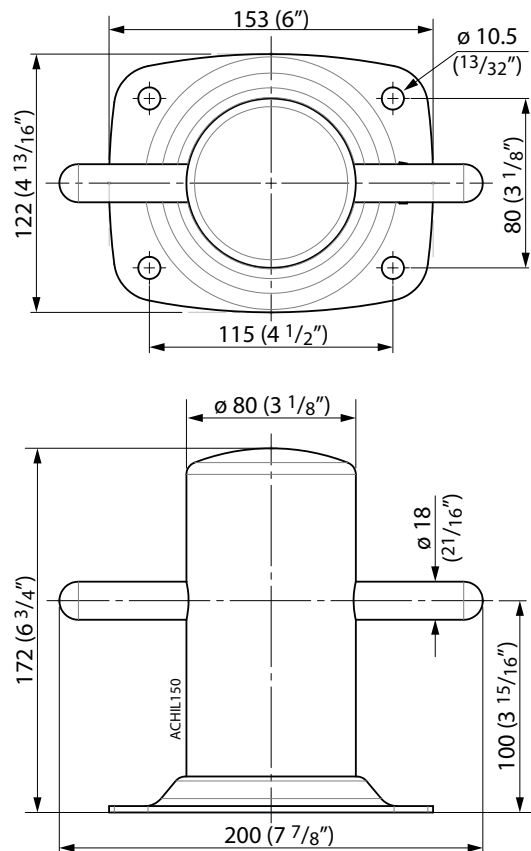
ACHIL110



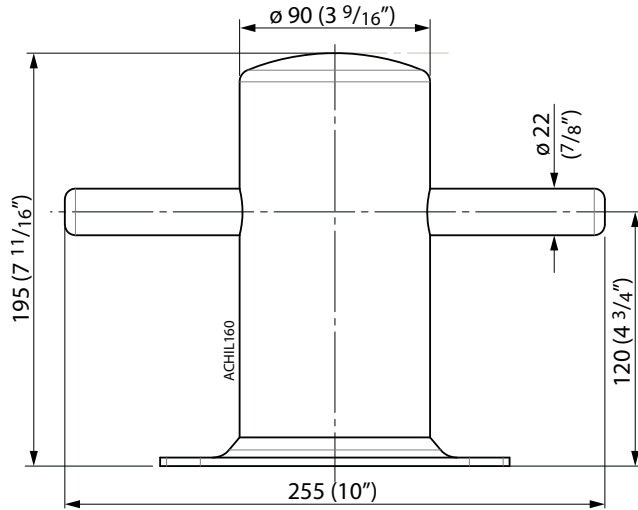
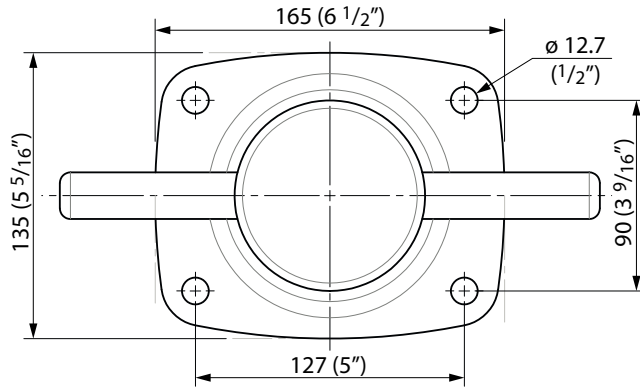
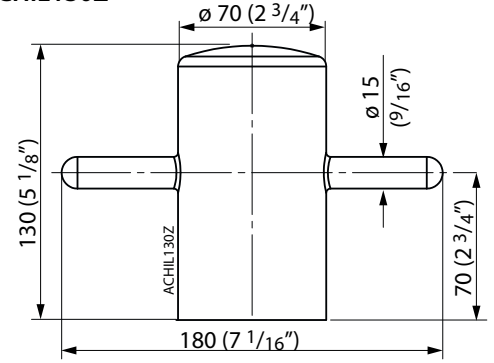
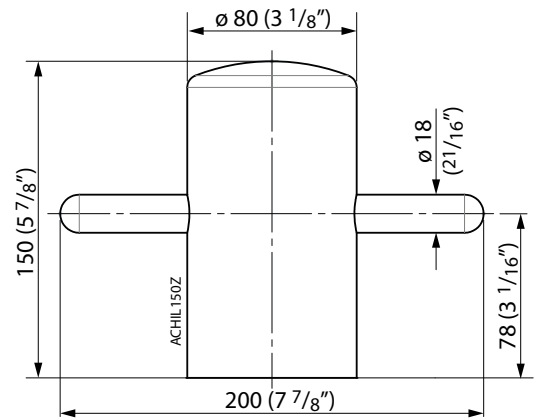
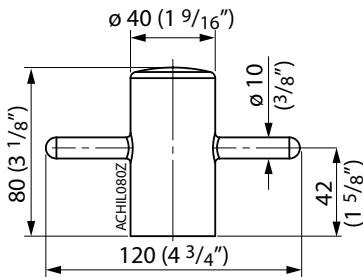
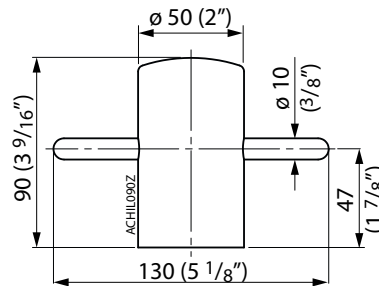
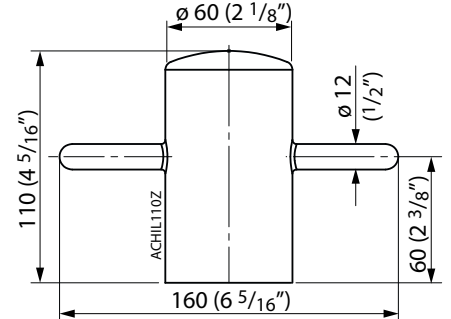
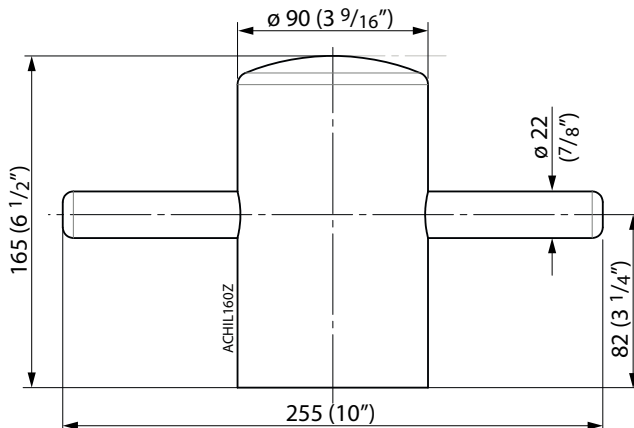
ACHIL130



ACHIL150



Overall dimensions

**ACHIL160****ACHIL130Z****ACHIL150Z****ACHIL080Z****ACHIL090Z****ACHIL110Z****ACHIL160Z****ACHIL090B**