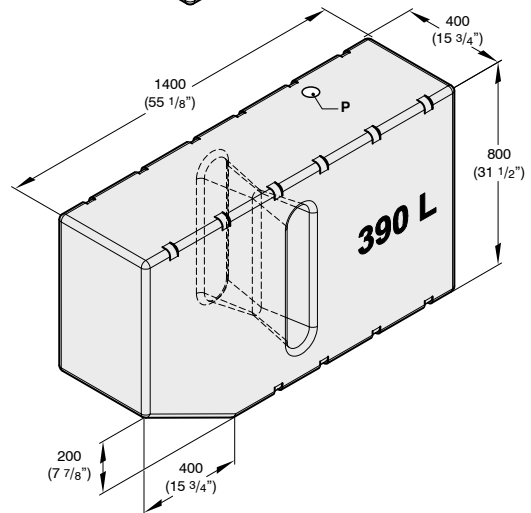
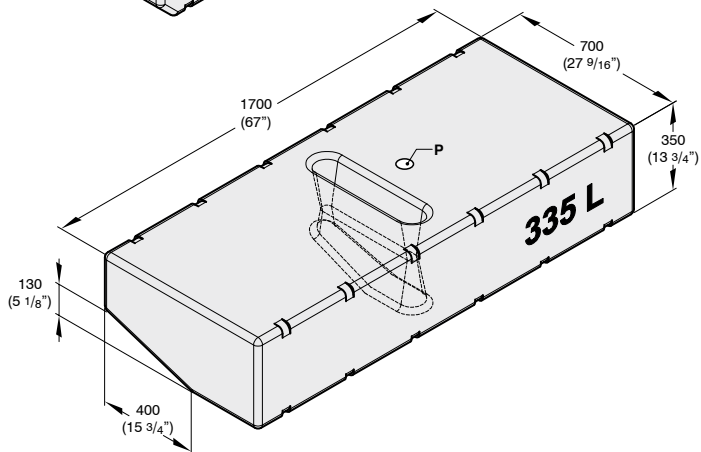
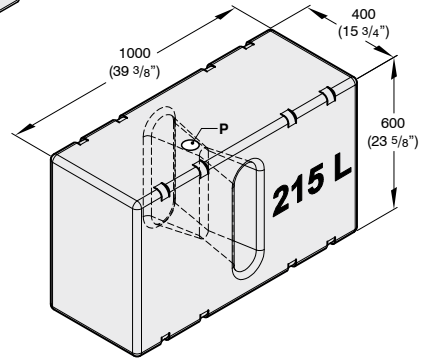
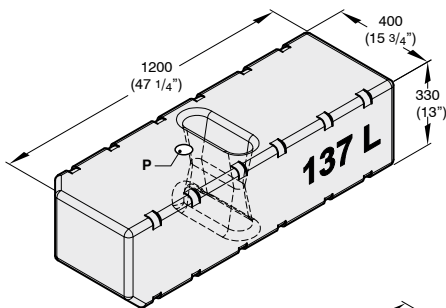
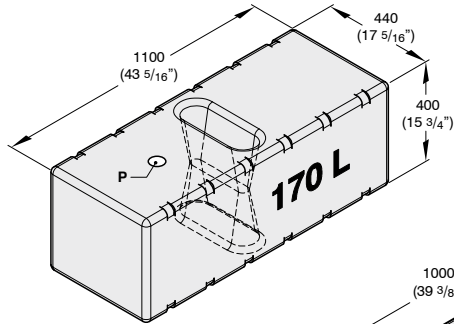
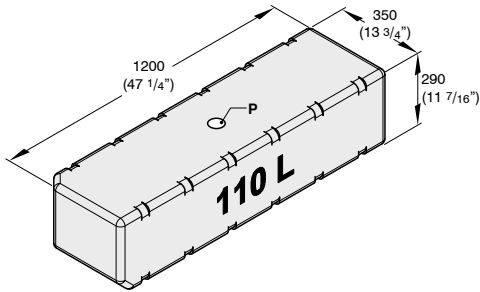
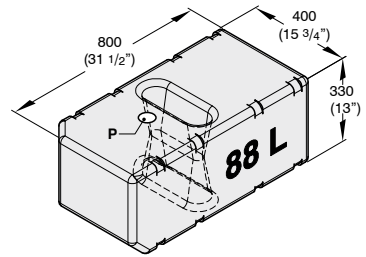
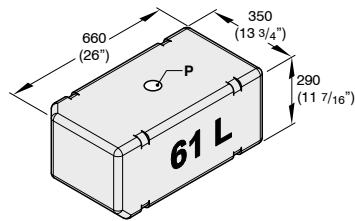
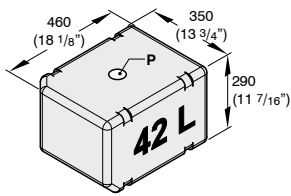


- Tank** : Rigid Multi Purpose Tank, type ATANKxxx
- Application** : - Storage of Diesel Fuel or,  
 - Storage of Drinking (potable) Water or,  
 - Holding tank for Sewage (waste water).
- Material** : mMPE (Metallocene Medium Density Polyethylene)  
 Vicat Softening Point (ISO 306) : 121°C (250°F)  
 Melting Point (ISO 11357) : 123°C (253°F)  
 Tensile Strength at Yield (ISO 527-2) : 1.8 kN/cm<sup>2</sup> (18 MPa, 2,600 psi)  
 Tensile Strength at Break (ISO 527-2) : 1.1 kN/cm<sup>2</sup> (11 MPa, 1,600 psi)  
 Elongation at Break (ISO 527-2) : > 700 %  
 Flexural Modulus (ISO 178) : 70 kN/cm<sup>2</sup> (700 MPa, 101,500 psi)
- Construction** : Seamless, roto-molded
- Reinforcement** : By shape, no other materials
- Colour** : Light Blue, Translucent
- Weight** : See table
- Max. temperature** : 100°C (212°F), content and/or ambient
- Max. pressure** : 30 kPa (0.3 bar, 4 psi)
- Relevant CE Standards** : EN ISO 21487:2012, EN ISO 10088:2013, Recreational Craft Directive (2013/53/EU) if used for diesel fuel  
 EN ISO 8099:2001, Recreational Craft Directive (2013/53/EU) if used for waste water  
 10/2011/EU as amended by 1183/2012/EU Regulation on plastic materials and articles intended to come into contact with food
- Other Standards** : Material meets the KTW standard (<http://www.dvgw.de/465.html>).
- Certification** : DCI for Recreational Craft Directive
- Classification** : Non

Model	Capacity <sup>1)</sup>			Wall thickness <sup>2)</sup>	Weight <sup>3)</sup>	
	litres	Imp. (UK) gal.	US gal		kg	lbs
ATANK042	42	9.2	11.1	5 mm (3/16")	3.3	7.2
ATANK061	61	13.4	16.1		4.5	9.9
ATANK088	88	19.4	23.2	6 mm (15/64")	8	17.6
ATANK110	110	24.2	29.1		9	20
ATANK137	137	30.1	36.2		11.1	24.5
ATANK170	170	37.4	44.9	6.5 mm (1/4")	13.9	30.5
ATANK215	215	47.3	56.8		15.9	35
ATANK335	335	73.7	88.5	7 mm (9/32")	25.5	56
ATANK390	390	85.8	103		26.5	58.5

- Notes:** 1) Nominal values are given for capacity. Slight deviations are possible.  
 2) Average wall thickness is given. Wall thickness may vary across the tank up to plus or minus 20 %.  
 3) Average weight is given. Weight may vary plus or minus 0.25 kg (0.55 lbs).



Overall dimensions

All dimensions +2 or -2 %