

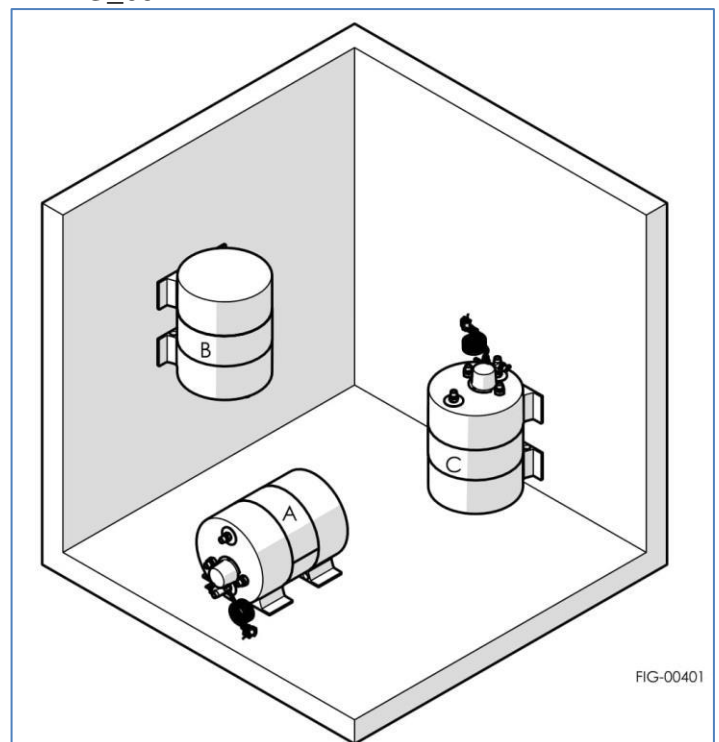
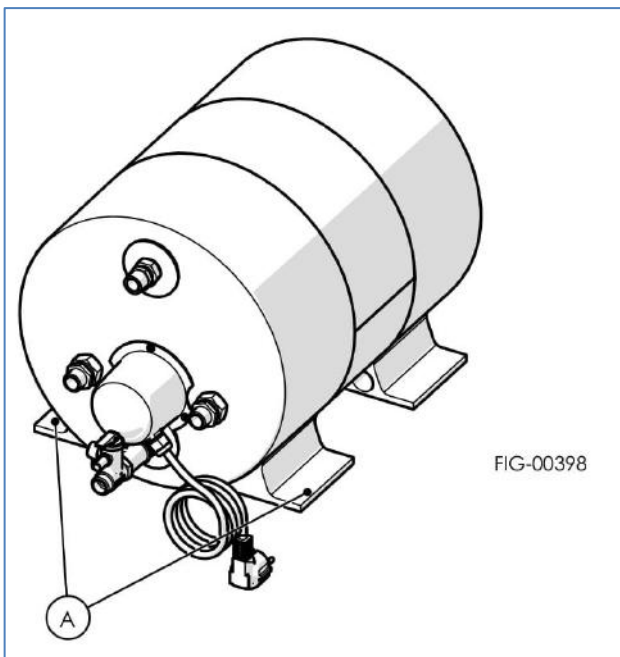
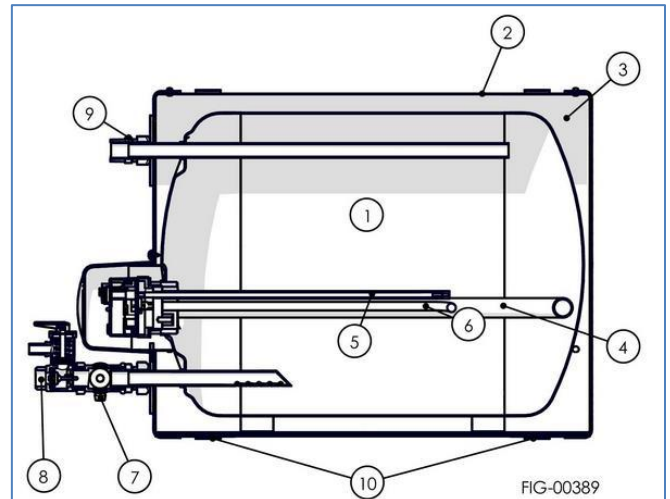
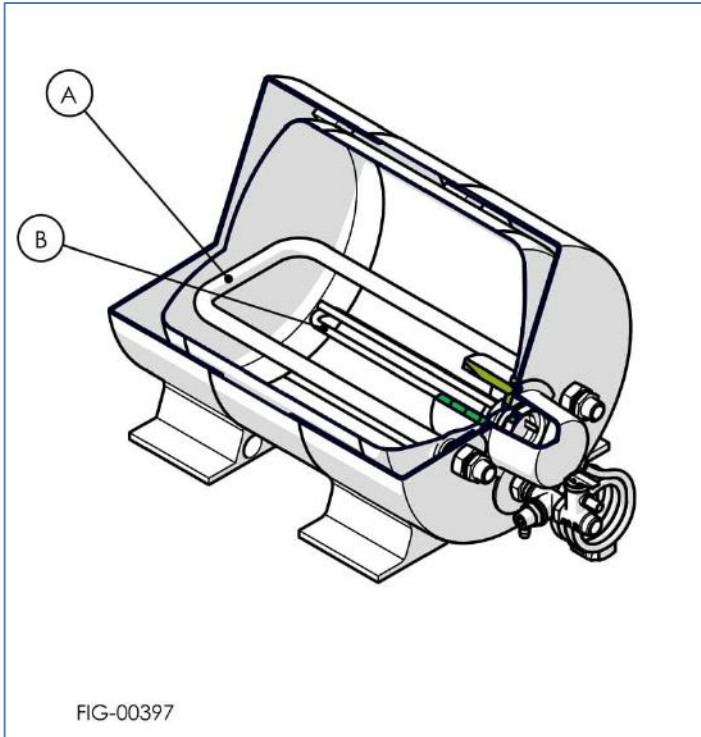
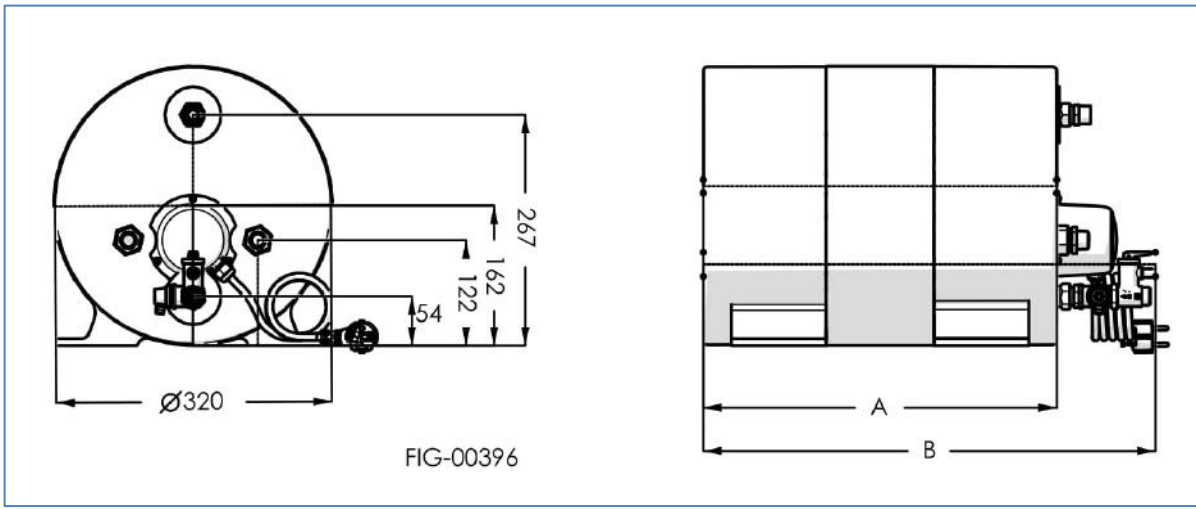
## AquaH

MARINE WATER HEATERS

IB-912 R09 (210-0329) (02/2022)

ORIGINAL INSTRUCTIONS/TRANSLATION OF ORIGINAL INSTRUCTIONS  
READ AND UNDERSTAND THIS MANUAL PRIOR TO OPERATING OR SERVICING THIS PRODUCT





The AquaH Marine range of water heaters **includes 10 different models** available with the following features to meet many installations and use requirements

- a) 5 storage capacities (22 - 30 - 45 - 60 - 80 liters / 5.8 - 7.9 - 11.9 - 15.8 - 21.0 gallons)
- b) 2 powers (550 w - 230 V / 1250 w - 230 V)

### 1. GENERAL PRECAUTIONS

The following instructions are important to ensure the safe installation, use and maintenance of the appliance.

- This booklet is an integral and essential part of the water heater: therefore, it must be kept on hand for any further consultation.
- The water heater has been produced for the production of hot water: any other type of use is to be considered dangerous and unsuitable.
- The appliance must not be installed in damp environments, bathtubs, washbasins, showers, swimming pools, etc. and must be protected from water splashes, jets of water or other liquids, in order to avoid short circuits of electrical devices.
- The installation must be carried out by a qualified person, who is responsible for the application of the safety regulations in force. Improper installation, caused by failure to comply with the manufacturer's instructions, can cause injury to people, animals or damage to other equipment for which the manufacturer declines all responsibility.
- Before connecting the water heater, make sure that the electrical characteristics printed on the data plate correspond to those of the electrical network.
- If the water heater is installed in a bathroom, in a damp room or near water, strictly follow the safety distances provided for by the CEI-EEC regulations. Also, switches or any other electrical controls must not be reachable by anyone taking a shower or using the bathtub. Do not touch the appliance with wet or damp hands.
- Do not allow use by children or incapable people without any supervision.
- Packaging parts (plastic bags, polystyrene, clips, etc.) must be kept away from children, as they can be dangerous.
- Read this booklet carefully as it provides useful instructions on safety, installation, use and maintenance.
- If the appliance is sold or transferred to another owner, make sure that this manual accompanies the appliance, so that the new owner and / or the installer can consult it.
- To avoid the risk of damage due to frost, if the appliance is not used for a long period and is installed in an unheated room, it is recommended to empty it completely. The manufacturer is not responsible for any damage or breakages due to frost or water leaks from the system.
- For best water heating performance and for warranty purposes, strictly adhere to the instructions below.

### 2. TECHNICAL CHARACTERISTICS

		56-47455-03	56-47455-01	56-47456-03	56-47456-01	56-47457-03	56-47457-01	56-47458-03	56-47458-01	56-47459-03	56-47459-01
supply	V ~	230	230	230	230	230	230	230	230	230	230
electric	A	2.2	5,2	2.2	5,2	2.2	5,2	2.2	5,2	2.2	5,2
power	W	550	1250	550	1250	550	1250	550	1250	550	1250
capacity		22 (5.8)		30 (7.9)		45 (11.9)		60 (15.8)		80 (21.0)	
Max pressure	kPa (psi)	700 (102)		700 (102)		700 (102)		700 (102)		700 (102)	
empty weight	kg (lb)	10.0 (22)		11.5 (25)		15.0 (33)		17.3 (38)		20.0 (40)	
size	mm	320 x 320 x 525		320 x 320 x 659		320 x 320 x 920		320 x 320 x 1105		320 x 320 x 1315	
	inch "	12,6 x 12,6 x 20,7		12,6 x 12,6 x 25,9		12,6 x 12,6 x 36,2		12,6 x 12,6 x 43,2		12,6 x 12,6 x 51,5	

### 3. PACKAGING CONTENTS

The device is packaged and delivered in a cardboard box with adequate protection. In addition to the appliance, inside the box there are:

- a) the installation manual
- b) the fixing screws kit
- c) the check / safety valve

### 4. DIMENSIONS (see fig. FIG\_4-1)

	A		B	
	mm	inch "	mm	inch "
56-47455-03	404	15,8	525	20,7
56-47455-01	404	15,8	525	20,7
56-47456-03	538	21,1	659	25,9
56-47456-01	538	21,1	659	25,9
56-47457-03	799	31,3	920	36,2
56-47457-01	799	31,3	920	36,2
56-47458-03	984	38,5	1105	43,2
56-47458-01	984	38,5	1105	43,2
56-47459-03	1194	46,7	1315	51,5
56-47459-01	1194	46,7	1315	51,5

### 5. CONSTRUCTION DESCRIPTION AND OPERATION

The purpose of this appliance is to heat the domestic hot water in two different ways (see fig FIG\_5-1):

- A. through the exchange of heat between the engine cooling water and the water stored in the tank. This heat exchange is possible thanks to a heat exchanger. The engine cooling water circulates through a coil located in the center of the tank to spread the heat evenly.
- B. by means of an electric resistance (supplied as standard with the appliance).

Main parts (see FIG\_5-2.):

1. Storage tank: it is entirely made of AISI 316L stainless steel.
2. Metallic outer coating: it is very resistant to external shocks and stresses, while having a very pleasant design.
3. Thermal insulation: made of closed cell polyurethane foam, it avoids unnecessary heat loss. In this way the heat loss due to thermal inertia is reduced to 1 ° C per hour for a period of 24 hours.
4. Heat exchanger: it is made of AISI 316L stainless steel. Its exchange surface makes it possible to make the most of the heat from the engine cooling water and to obtain hot water even in extreme conditions (very small temperature differences).
5. Thermostat: has two functions, namely:
  - a. adjustable thermostat: interrupts the power supply to the heater element when the preset temperature is reached (the temperature can be adjusted between 13 ° C and 65 ° C, according to the user's needs).
  - b. safety thermostat: cuts off the power supply to the heating element when, in the event of a malfunction of the appliance, the water temperature reaches 83°C. Manual intervention is required to restart the appliance (manual reset).

Temperature range: from 13 ° C to 65 ° C  
 Safety temperature: 83 ° C  
 Maximum current: 16 A
6. Electric heater: the appliance is equipped with an electric heating element (550/1250W, 230V ~) to heat the water even when the boat's engine is off (for example when the boat is at a wharf). Material: corrosion resistant INCOLOY alloy.
7. Drain valve
8. Cold water inlet and safety and non-return valve: prevents hot water from flowing back into the cold water inlet pipe. It is also an overpressure safety valve: it protects the tank from possible excessive pressures caused by the expansion of the water during heating. The water is discharged through the drain with which the valve is equipped. Calibration: 800 ± 50 kPa (116 ± 7 psi)
9. Hot water outlet
10. Plastic outer coating

### 6. INSTALLATION INSTRUCTIONS

- The installation must be carried out, in accordance with current legislation, by a qualified person who will perform not only a correct set up of the appliance, but also the necessary tests before starting the water heating.

- During original installation or subsequent maintenance, follow the instructions in this booklet carefully. Changes to any type of connection or failure to follow the instructions provided will void the warranty.
- Before installation, maintenance or repair, disconnect the appliance from the power supply.

## 7. POSITION AND ASSEMBLY

The black plastic cover has 4 fixing holes (A - FIG\_7-1). In this way an easy but firm and safe installation is obtained. To fix the appliance, use the fixing nuts kit (supplied as standard with the appliance).

The appliance must be installed in such a way that the heat exchanger and / or the electrical resistance are placed in the lower part (FIG\_7-2).

Allowed positions:

- A, B, C\*: all models
- \*: it is necessary to invert the cold water inlet with the hot water outlet. On models 56-47455-03 and 56-47455-01 the heating efficiency keeps unchanged. On the other models, C positioning is allowed, but the heating efficiency will be reduced.

The appliance can be installed in any space, without limitations. The above does not exempt from observing the instructions provided in the paragraph "General precautions" at the beginning of this booklet.

## 8. HYDRAULIC CONNECTIONS AND WATER QUALITY

To extend the life of the appliance, the quality of the water should be in line with the following parameters, as required by the European Directive 98/83 / EC (concerning the quality of water intended for human consumption):

- hardness between 15 and 50 ° F (in particular, where the water has undergone a softening or desalination treatment)
- chlorides between 25 and 100 mg / l
- PH between 6.5 and 9.5
- conductivity between 400 and 1500µS / cm

Connect the appliance according to the following indications (FIG\_8-1):

1. cold water inlet (1/2 ")
2. hot water outlet (1/2 ")
3. water delivery to the engine cooling circuit (1/2 ")
4. water return from the engine cooling circuit (1/2 ")

Minimum water inlet pressure: 70 kpa.

It is advisable to insulate the hot water pipes: this will avoid unnecessary waste of energy.

Check / safety valve assembly: the valve is supplied with the appliance and not assembled. It must be mounted on the cold-water inlet when installing the appliance. (S - FIG\_8-1).



**ATTENTION: do not replace the safety and non-return valve supplied with the appliance with a non-return valve (clapet).**

**ATTENTION: connect the water drain of the valve to a rubber hose with an internal diameter of 9.5 mm. This drainpipe must be installed with a constant downward slope and in a place protected from ice.**

## 9. ELECTRICAL CONNECTIONS

The appliance must be connected to a single-phase power supply (please make sure to connect the correct voltage: 120V or 230V according to the data label on the appliance) and to a good earth connection.



**THE MANUFACTURER DOES NOT ACCEPT LIABILITY FOR POSSIBLE DAMAGES OR INJURY CAUSED BY THE LACK OF EARTH CONNECTION OF THE EQUIPMENT**

The appliance is equipped with a power cable with Schuko plug. Connect the power cable in accordance with the wiring regulations in force in the country where the appliance is installed. In case of replacement of the power supply cable, use only a cable with the same characteristics (H05 VV-F - 3x1,5 mmq).

If not necessary to use the Schuko plug, it is possible to cut the power cable and connect it to a different plug or directly to the power supply connection. Please be careful to connect the polarities correctly (FIG\_9-1):

- L → phase (brown cable)
- N → neutral (blue cable)

Install a bipolar switch near the appliance to allow the isolation of the appliance.



**ATTENTION: BEFORE WORKING ON THE THERMOSTAT, MAKE SURE THAT THE ELECTRIC POWER SUPPLY IS COMPLETELY DISCONNECTED.**

**10. INSTRUCTIONS FOR USE**

The electric heating element is equipped with a thermostat that has the following dual function:

1. temperature setting. (T - FIG\_9-1), cutting off the power supply to the electric heating element of the appliance when the preset temperature is reached (it is possible to adjust the thermostat between 13° C and 65 ° C according to the user's needs).
2. safety, by cutting off the power supply to the electric heating element when, in the event of a malfunction of the appliance, the temperature of the stored water reaches 83° C. To start the appliance again, a manual intervention is required (manual reset). In this case, follow these steps:
  - a) disconnect the power supply
  - b) remove the electric heating element protection cap
  - c) press the reset button located on the thermostat (R - FIG\_9-1)
  - d) use the cover to protect the electric heating element
  - e) restore power supply



**ATTENTION: ONLY CONNECT THE POWER SUPPLY WHEN THE TANK IS FULL OF WATER. THE HEATING ELEMENT IS NOT SUITABLE FOR DRY RUNNING.**

**11. MAINTENANCE OF THE APPLIANCE**

To make the operation of the appliance safe and extend its life, a periodic check by a specialized technician is recommended at least once a year.

Recommended actions during the periodic check:

- seal the hydraulic connections
- check that the safety valve has not loosened and check that it is not blocked by any limescale deposits
- check the fastening (replace the fastening screws if they are worn)
- efficiency of the electrical system and earthing and condition of the power cable (if damaged it must be replaced by the manufacturer, authorized technical service or qualified personnel)



**ATTENTION: FROST CAN CAUSE PERMANENT DAMAGE TO THE APPLIANCE. IF THE APPLIANCE IS NOT USED DURING THE COLD SEASON, DRAIN THE APPLIANCE COMPLETELY (USE THE DRAIN VALVE D (FIG\_08-1))**

To clean the outer casing (2 - FIG\_05-2) use only water and neutral soap. It is recommended to use a soft cloth taking care to rinse and dry thoroughly. Products containing abrasive substances must not be used.

**12. WARRANTY**

The warranty conditions are valid provided that the installation instructions contained in this brochure are followed. The warranty starts from consumer purchase date, proof by purchase receipt:

- 5 years from the date of purchase limited to the tank leakage (which is the most critical part of the appliance).
- 3 years on other components such as the electric heating element.

For safety reasons and for the validity of the warranty it is mandatory to use only original spare parts.

**13. ACCESSORIES AVAILABLE ON REQUEST**

56-47464-01	AQUAH THERMOSTATIC MIXER KIT (fig. FIG_13-1)	allows you to set a constant hot water temperature (between 30 ° C and 65 ° C)
56-A.BGOM	AQUAH HOSE CONNECTION KIT (FIG_13-2)	allows to make hydraulic connections by means of rubber hoses, instead of threaded connections

14. MAIN SPARE PARTS (FIG\_14-1)

GB

			22 L	30 L	45 L	60 L	80 L	22 L	30 L	45 L	60 L	80 L
			550 W	550 W	550 W	550 W	550 W	1250 W	1250 W	1250 W	1250 W	1250 W
			56-47455-03	56-47456-03	56-47457-03	56-47458-03	56-47459-03	56-47455-01	56-47456-01	56-47457-01	56-47458-01	56-47459-01
1	56-A.020-0052	PROTECTION	x	x	x	x	x	x	x	x	x	x
2	56-A.100-0086	GASKET	x	x	x	x	x	x	x	x	x	x
3	56-A.130-0057	DRAIN TAP	x	x	x	x	x	x	x	x	x	x
4	56-A.130-0081	FITTING 14x1/2" M	x	x	x	x	x	x	x	x	x	x
5	56-A.130-0092	CHECK AND SAFETY VALVE	x	x	x	x	x	x	x	x	x	x
6	56-A.130-0099	FITTING 18x1/2" M	x	x	x	x	x	x	x	x	x	x
7	56-A.140-0007	CABLE GROMMET	x	x	x	x	x	x	x	x	x	x
8	56-A.280-0014	ELECTRIC HEATING ELEMENT 550 W	x	x	x	x	x					
8	56-A.280-0016	ELECTRIC HEATING ELEMENT 1250 W						x	x	x	x	x
9	56-A.280-0042	ADJUSTABLE THERMOSTAT	x	x	x	x	x	x	x	x	x	x
10	56-A.900-0135	POWER CABLE	x	x	x	x	x	x	x	x	x	x

For more information on our global offices, permissions, certifications, and local agents, please visit [www.spxflow.com](http://www.spxflow.com). SPX Flow Technology reserves the right to make changes to its designs and materials without notice or obligation. The design features, building materials and dimensions described in this bulletin are for your information only and are not subject to any obligation, unless approved in writing.



Made by SPX FLOW Johnson Pump®

RELIABILITY ON BOARD  
-SINCE 1968-

AquaH Marine-serien av varmvattenberedare omfattar **10 olika modeller** med funktioner som uppfyller många installations- och användningskrav

- a) 5 lagringskapaciteter (22, 30, 45, 60, 80 liter/5,8/7,9/11,9/15,8/21,0 gallon)
- b) 2 effekter (550 W–230 V/1 250–230 V)

### 1. ALLMÄNNA FÖRSIKTIGHETSÅTGÄRDER

Följande instruktioner är viktiga för att säker installation, användning och underhåll av apparaten ska garanteras.

- Denna broschyr är en tillhörande och viktig del av varmvattenberedaren och ska därför finnas till hands för eventuell vidare konsultation.
- Varmvattenberedaren är framtagen för produktion av varmvatten, all annan användning är olämplig och utgör en fara.
- Apparaten får inte installeras i fuktiga miljöer, badkar, handfat, dusch, simbassäng eller liknande, och ska skyddas mot vattenstänk, vattenstrålar och andra vätskor för att kortslutning av elektriska apparater ska kunna undvikas.
- Installationen måste utföras av en behörig person som ansvarar för att gällande säkerhetsföreskrifter följs. Felaktig installation på grund av att tillverkarens instruktioner inte följs kan orsaka personskador och skador på djur eller annan utrustning. I sådana fall avsäger sig tillverkaren allt ansvar.
- Innan du ansluter varmvattenberedaren till eluttaget, se till att de elektriska specifikationerna som finns tryckta på typskylten stämmer överens med elnätets specifikationer.
- Om varmvattenberedaren installeras i ett badrum, fuktigt rum eller nära vatten måste de säkerhetsavstånd som anges i CEI-EEG-bestämmelserna följas. Strömställare och andra elektriska reglage får inte heller befinna sig på nära avstånd till personer som duschar eller använder badkaret. Vidrör inte apparaten med våta eller fuktiga händer.
- Låt inte barn eller personer med funktionsnedsättning använda apparaten utan uppsikt.
- Förpackningsdelar (plastpåsar, polystyren, klämmor, etc.) måste hållas borta från barn eftersom de kan utgöra en fara.
- Läs noga igenom denna broschyr eftersom den innehåller praktiska anvisningar om säkerhet, installation, användning och underhåll.
- Om apparaten säljs eller överförs till en annan ägare, se till att denna bruksanvisning medföljer apparaten så att den nya ägaren och/eller installatören har tillgång till den.
- Om apparaten inte ska användas under en längre tid och ska installeras i ett uppvärmt rum rekommenderar vi att den töms helt så att frostsador kan undvikas. Tillverkaren ansvarar inte för eventuella skador på grund av frost eller vattenläckage från systemet.
- För bästa möjliga uppvärmningsprestanda och för garantiändamål ska du noggrant följa instruktionerna nedan.

### 2. TEKNISKA EGENSKAPER

		56-47455-03	56-47455-01	56-47456-03	56-47456-01	56-47457-03	56-47457-01	56-47458-03	56-47458-01	56-47459-03	56-47459-01
strömförsörjning elektrisk	V ~	230	230	230	230	230	230	230	230	230	230
	A	2,2	5,2	2,2	5,2	2,2	5,2	2,2	5,2	2,2	5,2
kraft	W	550	1 250	550	1 250	550	1 250	550	1 250	550	1 250
kapacitet		L (gal)	22 (5,8)	30 (7,9)	45 (11,9)	60 (15,8)	80 (21,0)				
Max tryck	kPa (psi)	700 (102)	700 (102)	700 (102)	700 (102)	700 (102)	700 (102)				
tomvikt	vikt (kg)	10,0 (22)	11,5 (25)	15,0 (33)	17,3 (38)	20,0 (40)					
storlek	mm	320 x 320 x 525	320 x 320 x 659	320 x 320 x 920	320 x 320 x 1105	320 x 320 x 1315					
	tum	12,6 x 12,6 x 20,7	12,6 x 12,6 x 25,9	12,6 x 12,6 x 36,2	12,6 x 12,6 x 43,2	12,6 x 12,6 x 51,5					



### 3. FÖRPACKNINGSSINNEHÅLL

Enheten är förpackad och skyddad i en pappkartong. Förutom apparaten innehåller förpackningen följande:

- a) installationshandbok
- b) fästskruvssats
- c) backventil

### 4. MÅTT (se bild FIG\_4-1)

	A		B	
	mm	inch “	mm	inch “
56-47455-03	404	15,8	525	20,7
56-47455-01	404	15,8	525	20,7
56-47456-03	538	21,1	659	25,9
56-47456-01	538	21,1	659	25,9
56-47457-03	799	31,3	920	36,2
56-47457-01	799	31,3	920	36,2
56-47458-03	984	38,5	1 105	43,2
56-47458-01	984	38,5	1 105	43,2
56-47459-03	1 194	46,7	1 315	51,5
56-47459-01	1 194	46,7	1 315	51,5

### 5. KONSTRUKTIONSBESKRIVNING OCH FUNKTION

Denna apparat används för uppvärmning av tappvarmvatten på två olika sätt (se bild FIG\_5-1):

- A. genom värmeväxling mellan motorns kylvatten och det vatten som finns lagrat i tanken. Denna värmeväxling uppnås via en värmeväxlare. Motorns kylvatten cirkulerar genom en spole i mitten av tanken som gör att värmen sprids jämnt.
- B. med hjälp av ett elektriskt motstånd (medföljer apparaten som standard).

Huvuddelar (se FIG\_5-2.):

1. Förvaringstank: den är helt gjord av AISI 316L rostfritt stål.
2. Metallisk ytterbeläggning: den är mycket motståndskraftig mot yttre stötar och påfrestningar, samtidigt som den har en mycket trevlig design.
3. Värmeisolering: tillverkad av polyuretanskum med slutna celler, undviker onödig värmeförlust. På detta sätt reduceras värmeförlusten på grund av termisk tröghet till 1°C per timme under en period av 24 timmar.
4. Värmeväxlare: den är gjord av AISI 316L rostfritt stål. Dess utbytesyta gör det möjligt att få ut det mesta av värmen från motorns kylvatten och att få varmvatten även under extrema förhållanden (mycket små temperaturskillnader).
5. Termostat: har två funktioner, nämligen:
  - a. justerbar termostat: avbryter strömförsörjningen till värmeelementet när den förinställda temperaturen uppnås (temperaturen kan justeras mellan 13 ° C och 65 ° C, enligt användarens behov).
  - b. Säkerhetstermostat: bryter strömförsörjningen till värmeelementet när vattentemperaturen når 83°C i händelse av fel på apparaten. Manuell ingripande krävs för att starta om apparaten (manuell återställning).

Temperaturområde: från 13 °C till 65 °C

Säkerhetstemperatur: 83 °C

Maximal ström: 16 A

6. Elvärmare: apparaten är utrustad med ett elektriskt värmeelement (550/1250W, 230V ~) för att värma vattnet även när båtens motor är avstängd (till exempel när båten ligger vid en kaj). Material: korrosionsbeständig INCOLOY-legering.
7. Avtappningsventil
8. Kallvatteninlopp och säkerhets- och backventil: förhindrar att varmt vatten rinner tillbaka in i kallvatteninloppsröret. Det är också en övertryckssäkerhetsventil: den skyddar tanken från eventuella för höga tryck som orsakas av vattnets expansion under uppvärmning. Vattnet släpps ut genom avloppet som ventilen är utrustad med. Kalibrering: 800 ± 50 kPa (116 ± 7 psi)
9. Varmvattenutlopp
10. Ytterbeläggning av plast

### 6. INSTALLATIONSANVISNINGAR

- Installationen måste utföras i enlighet med gällande lagstiftning av en kvalificerad person som utför korrekt installation av apparaten och nödvändiga tester innan vattenuppvärmningen startas.
- Vid inledande installation eller efterföljande underhåll ska du noggrant följa instruktionerna i denna broschyr. Om anslutningar ändras eller om instruktionerna inte följs upphör garantin att gälla.
- Före installation, underhåll eller reparation ska apparaten kopplas bort från elnätet.

## 7. PLACERING OCH MONTERING

Det svarta plastlocket har 4 fästhål (A – FIG\_7-1). På så sätt erhålls en enkel men säker installation. Sätt fast apparaten med hjälp av fästmuttersatsen (medföljer apparaten som standard).

Apparaten måste installeras så att värmeväxlaren och/eller det elektriska motståndet placeras i den nedre delen (FIG\_7-2).

Tillåtna positioner:

- A, B, C\*: alla modeller
- \*: kallvatteninloppet och varmvattenutloppet måste inverteras. På modellerna 56-47455-03 och 56-47455-01 förblir värmeeffektiviteten oförändrad. På de andra modellerna är C-positionering tillåten, men uppvärmningseffektiviteten minskar.

Apparaten kan installeras i alla utrymmen, utan begränsningar. Ovanstående innebär inte att du kan underlåta att följa instruktionerna i stycket "Allmänna försiktighetsåtgärder" i början av denna broschyr.

## 8. HYDRAULANSLUTNINGAR OCH VATTENKVALITET

För att apparaten ska ha en så lång livslängd som möjligt ska vattnets kvalitet överensstämma med följande parametrar, enligt kraven i EU-direktiv 98/83/EG (gällande dricksvattenkvalitet):

- en hårdhet mellan 15 och 50 °F (särskilt om vattnet har genomgått avhärdnings- eller avsaltningsbehandling)
- klorider mellan 25 och 100 mg/l
- PH mellan 6,5 och 9,5
- konduktivitet mellan 400 och 1 500µS/cm

Anslut apparaten enligt följande anvisningar (FIG\_8-1):

1. kallvatteninlopp (1/2")
2. varmvattenutlopp (1/2")
3. vattentillförsel till motorns kylkrets (1/2")
4. vattenretur från motorns kylkrets (1/2")

Lägsta vatteninloppstryck: 70 kPa.

Isolera varmvattenrören om du vill minska energislöseri.

Kontroll-/säkerhetsventilsenhet: ventilen medföljer apparaten och är inte monterad. Den måste monteras på kallvatteninloppet när apparaten installeras. (S – FIG\_8-1).



**OBSERVERA!** Byt inte ut den säkerhets- och backventil som medföljer apparaten mot en backventil (klaff).

**OBSERVERA:** Anslut ventilens vattendränning till en gummislang med en innerdiameter på 9,5 mm. Detta dräneringsrör måste installeras med en konstant nedåtlutning och på en plats som är skyddad mot is.

## 9. ELEKTRISKA ANSLUTNINGAR

Apparaten måste anslutas till ett enfasuttag (säkerställ korrekt spänning: 120 eller 230 V enligt apparatens märkskylt) och till en god jordanslutning.



**TILLVERKAREN ANSVARAR INTE FÖR EVENTUELLA SKADOR/PERSONSKADOR SOM UPPSTÅR PÅ GRUND AV ATT UTRUSTNINGEN INTE ÄR JORDAD**

Apparaten är utrustad med en nätkabel med Schuko-kontakt. Anslut strömkabeln i enlighet med gällande bestämmelser i det land där apparaten är installerad. Vid byte av strömförsörjningskabel, använd endast kabel med samma egenskaper (H05 VV-F – 3x1,5 mmq).

Om Schuko-kontakten inte behöver användas kan strömkabeln kapas och anslutas till en annan kontakt eller direkt till strömförsörjningsanslutningen. Var noga med att ansluta polariteterna korrekt (FIG\_9-1):

- L-fas → (brun kabel)
- N → neutral (blå kabel)

Installera en bipolär brytare vid apparaten så att den kan isoleras.



**OBS! INNAN DU ARBETAR MED TERMOSTATEN SKA DU KONTROLLERA ATT STRÖMFÖRSÖRJNINGEN ÄR HELT FRÄNKOPPLAD.**

**10. INSTRUKTIONER FÖR ANVÄNDNING**

Det elektriska värmeelementet är utrustat med en termostat som har följande dubbla funktion:

1. temperaturinställning. (T – FIG\_9-1) strömförsörjningen till apparatens elektriska värmeelement stängs av när den förinställda temperaturen har uppnåtts (det går att justera termostaten mellan 13 och 65 °C efter användarens behov).
2. säkerhet, genom att strömförsörjningen till det elektriska värmeelementet stängs av när temperaturen på det lagrade vattnet vid ett eventuellt funktionsfel når 83 °C. För att starta om enheten krävs manuell återställning. Följ i så fall dessa steg:
  - a) koppla från strömförsörjningen
  - b) ta bort skyddslocket på det elektriska värmeelementet
  - c) tryck på återställningsknappen på termostaten (R – FIG\_9-1)
  - d) sätt på kåpan på det elektriska värmeelementet
  - e) återställ strömförsörjningen



**OBS! ANSLUT ENDAST STRÖMFÖRSÖRJNINGEN NÄR TANKEN ÄR FULL AV VATTEN. VÄRMEELEMENTET ÄR INTE LÄMPLIGT FÖR TORRKÖRNING.**

**11. UNDERHÅLL AV APPARATEN**

För att apparaten ska kunna användas på ett säkert sätt och hålla så länge som möjligt rekommenderar vi att en specialiserad tekniker kontrollerar den minst en gång om året.

Rekommenderade åtgärder under den periodiska kontrollen:

- täta hydraulanslutningarna
- kontrollera att säkerhetsventilen inte har lossnat och att den inte är blockerad av kalkavlagringar
- kontrollera fastsättningen (byt ut fästskruvarna om de är slitna)
- kontrollera det elektriska systemets effektivitet samt strömkabelns jordning och skick (om den är skadad måste den bytas ut av tillverkaren, auktoriserad teknisk service eller kvalificerad personal)



**OBS! FROST KAN LEDA TILL PERMANENTA SKADOR PÅ APPARATEN. OM APPARATEN INTE ANVÄNDS UNDER VINTERSÄSONGEN SKA DEN TAPPAS AV HELT (ANVÄND DRÄNERINGSVENTIL D (FIG\_08-1))**

För att rengöra det yttre höljet (2 - FIG\_05-2) använd endast vatten och neutral tvål. Det rekommenderas att använda en mjuk trasa, var noga med att skölja och torka noggrant. Produkter som innehåller slipande ämnen får inte användas.

**12. GARANTI**

Garantivillkoren gäller under förutsättning att installationsanvisningarna i denna broschyr följs. Garantin börjar gälla från inköpsdatum (inköpskvitto ska visas upp):

- fem år från inköpsdatum, gäller endast för tankläckage (tanken är den mest kritiska delen av apparaten).
- tre år för övriga komponenter, t.ex. det elektriska värmeelementet.

Av säkerhetsskäl och för att garantin ska gälla, ska endast originalreservdelar användas.

**13. TILLBEHÖR SOM FINNS PÅ BEGÄRAN**

56-47464-01	AQUAH TERMOSTATISKT OMRÖRARSATS (bild FIG_13-1)	gör att du kan ställa in en konstant varmvattentemperatur (mellan 30 och 65 °C)
56-A.BGOM	SATS FÖR VATTENSLANGSANSLUTNING (FIG_13-2)	gör att hydrauliska anslutningar kan utföras med gummislangar istället för med gängade anslutningar

## 14. HUVUDRESERVDLAR (FIG\_14-1)

			22 l	30 l	45 l	60 l	80 l	22 l	30 l	45 l	60 l	80 l
			550 W	550 W	550 W	550 W	550 W	1 250 W	1 250 W	1 250 W	1 250 W	1 250 W
			56-47455-03	56-47456-03	56-47457-03	56-47458-03	56-47459-03	56-47455-01	56-47456-01	56-47457-01	56-47458-01	56-47459-01
1	56-A.020-0052	SKYDD	x	x	x	x	x	x	x	x	x	x
2	56-A.100-0086	PACKNING	x	x	x	x	x	x	x	x	x	x
3	56-A.130-0057	AVTAPPNING	x	x	x	x	x	x	x	x	x	x
4	56-A.130-0081	KOPPLING 14 x 1/2" M	x	x	x	x	x	x	x	x	x	x
5	56-A.130-0092	KONTROLL- OCH SÄKERHETSVENTIL	x	x	x	x	x	x	x	x	x	x
6	56-A.130-0099	KOPPLING 18 x 1/2" M	x	x	x	x	x	x	x	x	x	x
7	56-A.140-0007	KABELGENOMFÖRING	x	x	x	x	x	x	x	x	x	x
8	56-A.280-0014	ELEKTRISKT VÄRMEELEMENT 550 W	x	x	x	x	x					
8	56-A.280-0016	ELEKTRISKT VÄRMEELEMENT 1 250 W						x	x	x	x	x
9	56-A.280-0042	JUSTERBAR TERMOSTAT	x	x	x	x	x	x	x	x	x	x
10	56-A.900-0135	STRÖMKABEL	x	x	x	x	x	x	x	x	x	x

För mer information om våra globala kontor, auktorisationer, certifieringar och lokala representanter, besök [www.spxflow.com](http://www.spxflow.com). SPX Flow Technology förbehåller sig rätten att ändra konstruktioner och material utan föregående meddelande eller skyldighet. Designfunktionerna, konstruktionsmaterial och måttdata, som beskrivs i denna bulletin, tillhandahålls endast för din information och kommer inte att vara föremål för skyldighet såvida de inte godkänts skriftligt.



Made by SPX FLOW Johnson Pump®

RELIABILITY ON BOARD  
-SINCE 1968-

La gamma di scaldacqua **AquaH Marine** comprende **10 differenti modelli** disponibili con le seguenti caratteristiche per soddisfare ogni esigenza di installazione e di utilizzo

- a) 5 capacità di stoccaggio (22 – 30 – 45 – 60 – 80 litri / 5,8 – 7,9 – 11,9 – 15,8 – 21,0 galloni)
- b) 2 potenze (550 w – 230 V / 1250 w – 230 V)

## 1. PRECAUZIONI GENERALI

Le istruzioni che seguono sono importanti per garantire la sicurezza di installazione, uso e manutenzione dell'apparecchio.

- Questo libretto è parte integrante ed essenziale del riscaldatore di acqua: quindi deve essere tenuto a portata di mano per ogni ulteriore consultazione.
- Il riscaldatore d'acqua è stata prodotto per la produzione di acqua calda: qualsiasi altro tipo di utilizzo è da considerarsi pericoloso e non idoneo.
- L'apparecchio non deve essere installato in ambienti umidi, vasche da bagno, lavabi, docce, piscine ecc. e deve essere protetto da spruzzi d'acqua, getti d'acqua o altri liquidi, al fine di evitare corto circuiti dei dispositivi elettrici.
- L'installazione deve essere effettuata da una persona qualificata, che è responsabile per l'applicazione delle norme di sicurezza vigenti. L'installazione impropria, causata dal mancato rispetto delle istruzioni fornite dal produttore, può causare lesioni a persone, animali o danni ad altre apparecchiature per le quali il costruttore declina ogni responsabilità.
- Prima di collegare lo scaldabagno, assicurarsi che le caratteristiche elettriche stampate sulla targhetta dati corrispondano a quelle della rete elettrica.
- Se lo scaldabagno è installato in un bagno, in una stanza umida o vicino all'acqua, prendersi cura delle distanze di sicurezza previste dalla normativa CEI-CEE. Inoltre, interruttori o qualsiasi altro comando elettrico non devono essere raggiungibili da chiunque stia facendo una doccia o utilizzando la vasca da bagno. Non toccare l'apparecchio con mani bagnate o umide.
- Non consentire l'utilizzo da parte di bambini o persone incapaci senza alcun controllo.
- Le parti di imballaggio (sacchetti di plastica, polistirolo, clip, ecc.) devono essere tenute lontane dai bambini, perché possono essere pericolose.
- Leggere attentamente questo libretto in quanto fornisce istruzioni utili in materia di sicurezza, d'installazione, uso e manutenzione.
- Se l'apparecchio dovesse essere venduto o spostato ad altro proprietario, assicurarsi che il presente libretto accompagni l'apparecchio, in modo che il nuovo proprietario e / o l'installatore possano consultarlo.
- Per evitare il rischio di danni dovuti al gelo, se l'apparecchio non viene utilizzato per un lungo periodo ed è installato in un locale non riscaldato, si consiglia di svuotarlo completamente. Il produttore non è responsabile di eventuali danni o rotture dovute al gelo o perdite di acqua dall'impianto.
- Per ottenere le migliori prestazioni dal riscaldamento dell'acqua e per scopi di garanzia, rispettare rigorosamente le istruzioni riportate qui sotto.

## 2. CARATTERISTICHE TECNICHE

		56-47455-03	56-47455-01	56-47456-03	56-47456-01	56-47457-03	56-47457-01	56-47458-03	56-47458-01	56-47459-03	56-47459-01
alimentazione elettrica	V~ A	230 2,2	230 5,2	230 2,2	230 5,2	230 2,2	230 5,2	230 2,2	230 5,2	230 2,2	230 5,2
potenza	W	550	1250	550	1250	550	1250	550	1250	550	1250
capacità		L ( gal )		30 ( 7,9 )		45 ( 11,9 )		60 ( 15,8 )		80 ( 21,0 )	
pressione massima	kPa ( psi )	700 ( 102 )		700 ( 102 )		700 ( 102 )		700 ( 102 )		700 ( 102 )	
peso a vuoto	kg ( lb )	10,0 ( 22 )		11,5 ( 25 )		15,0 ( 33 )		17,3 ( 38 )		20,0 ( 40 )	
dimensioni	mm	320 x 320 x 525		320 x 320 x 659		320 x 320 x 920		320 x 320 x 1105		320 x 320 x 1315	
	inch"	12,6 x 12,6 x 20,7		12,6 x 12,6 x 25,9		12,6 x 12,6 x 36,2		12,6 x 12,6 x 43,2		12,6 x 12,6 x 51,5	

**3. CONTENUTO IMBALLO**

L'apparecchio è confezionato e consegnato in una scatola di cartone con una protezione adeguata. Oltre all'apparecchio, all'interno della scatola sono presenti :

- a) il manuale di installazione
- b) il kit viti di fissaggio
- c) la valvola di ritegno/sicurezza

**4. DIMENSIONI (vedi fig. FIG\_4-1)**

	A		B	
	mm	inch "	mm	inch "
56-47455-03	404	15,8	525	20,7
56-47455-01	404	15,8	525	20,7
56-47456-03	538	21,1	659	25,9
56-47456-01	538	21,1	659	25,9
56-47457-03	799	31,3	920	36,2
56-47457-01	799	31,3	920	36,2
56-47458-03	984	38,5	1105	43,2
56-47458-01	984	38,5	1105	43,2
56-47459-03	1194	46,7	1315	51,5
56-47459-01	1194	46,7	1315	51,5

**5. DESCRIZIONE COSTRUTTIVA E FUNZIONAMENTO**

Lo scopo di questo apparecchio è di riscaldare l'acqua calda sanitaria in due modi diversi (vedi fig FIG\_5-1):

- A. attraverso lo scambio di calore tra l'acqua di raffreddamento del motore e l'acqua immagazzinata nel serbatoio. Tale scambio termico è possibile grazie ad uno scambiatore di calore. L'acqua di raffreddamento del motore circola attraverso una serpentina posta al centro del serbatoio per diffondere uniformemente il calore.
- B. per mezzo di una resistenza elettrica (fornita di serie con l'apparecchio).

Parti principali (vedi FIG\_5-2.):

1. Serbatoio di stoccaggio: è interamente realizzato in acciaio inox AISI 316L.
2. Mantello esterno metallico: è molto resistente agli urti e alle sollecitazioni esterne, avendo allo stesso tempo un design molto piacevole.
3. Isolamento termico: realizzato in poliuretano espanso a cellule chiuse, evita inutili perdite di calore. In questo modo la perdita di calore per inerzia termica è ridotta a 1 ° C ogni ora per un periodo di 24 ore.
4. Scambiatore di calore: è realizzato in acciaio inox AISI 316L. La sua superficie di scambio permette di sfruttare al meglio il calore dell'acqua di raffreddamento del motore e di ottenere acqua calda anche in condizioni estreme (differenze di temperatura molto piccole).
5. Termostato: ha due funzioni, precisamente:
  - a. termostato regolabile: interrompe l'alimentazione elettrica all'elemento riscaldatore al raggiungimento della temperatura preimpostata (la temperatura può essere regolata tra 13 ° C e 65 ° C, secondo le esigenze dell'utente).
  - b. termostato di sicurezza: interrompe l'alimentazione elettrica all'elemento riscaldatore quando, in caso di cattivo funzionamento dell'apparecchio, la temperatura dell'acqua raggiunge 83 ° C. E' necessario un intervento manuale per far ripartire l'apparecchio (reset manuale).

Range di temperatura: da 13 ° C a 65 ° C  
 Temperatura di sicurezza : 83 ° C  
 Corrente massima: 16 A
6. Resistenza elettrica: l'apparecchio è dotato di un elemento riscaldante elettrico (550/1250, 230V ~) per riscaldare l'acqua anche quando il motore della barca è spento (per esempio quando la barca è in banchina). Materiale: lega INCOLOY resistente alla corrosione.
7. Rubinetto di scarico
8. Ingresso acqua fredda e valvola di sicurezza e di non ritorno: impedisce il riflusso di acqua calda nella condotta di ingresso dell'acqua fredda. È anche una valvola di sicurezza da sovrappressione: protegge il serbatoio da possibili pressioni eccessive causate dall'espansione dell'acqua durante il riscaldamento. L'acqua viene scaricata attraverso lo scarico di cui è dotato la valvola. Taratura: 800 ± 50 kPa (116 ± 7 psi)
9. Uscita acqua calda
10. Mantello esterno plastico

**6. ISTRUZIONI INSTALLAZIONE**

- L'installazione deve essere effettuata, in conformità con la normativa vigente, da una persona qualificata che può fare, non solo un set up corretto dell'apparecchio, ma anche le prove necessarie prima di iniziare il riscaldamento dell'acqua.
- Durante l'installazione originale o successiva manutenzione, seguire le istruzioni riportate in questo libretto con attenzione. Modifiche a qualsiasi tipo di connessione o la mancata osservanza delle istruzioni fornite causerà la decadenza della garanzia.



- Prima dell'installazione, manutenzione o riparazione, togliere l'alimentazione elettrica all'apparecchio.

## 7. POSIZIONE E MONTAGGIO

La copertura in plastica nera è dotata di 4 fori di fissaggio (A - FIG\_7-1). In questo modo si ottiene un'installazione facile ma ferma e sicura. Per il fissaggio dell'apparecchio utilizzare il kit dadi di fissaggio (fornito di serie con l'apparecchio).

L'apparecchio deve essere installato in modo tale che lo scambiatore di calore e/o la resistenza elettrica siano posti nella parte inferiore (FIG\_7-2).

Posizioni consentite :

- A, B, C\* : tutti i modelli
- \*: è necessario invertire ingresso fredda ed uscita calda. Nei modelli 56-47455-03 e 56-47455-01 l'efficacia del riscaldamento rimane inalterata. Per gli altri modelli, la posizione C è consentita ma si riduce l'efficacia del riscaldamento.

L'apparecchio può essere installato in qualsiasi spazio, senza limitazioni. Quanto sopra descritto non esime dal rispettare le istruzioni fornite nel paragrafo "Norme generali di precauzione", all'inizio di questo opuscolo.

## 8. COLLEGAMENTI IDRAULICI E QUALITÀ DELL'ACQUA

Per prolungare la durata dell'apparecchio, la qualità dell'acqua dovrebbe rispettare i seguenti parametri, come previsto dalla Direttiva Europea 98/83/CE (concernente la qualità delle acque destinate al consumo umano):

- durezza compresa tra 15 e 50 ° F (in particolare, dove l'acqua ha subito un addolcimento o trattamento di desalinizzazione)
- cloruri compresi tra 25 e 100 mg/l
- PH compreso tra 6,5 e 9,5
- conducibilità compresa tra 400 e 1500 µS/cm

Collegare l'apparecchio secondo le seguenti indicazioni (FIG\_8-1):

1. ingresso acqua fredda (1/2 ")
2. uscita acqua calda (1/2 ")
3. mandata acqua al circuito di raffreddamento del motore (1/2 ")
4. ritorno acqua dal circuito di raffreddamento del motore (1/2")

Pressione minima di ingresso dell'acqua: 70 kpa.

Si consiglia di isolare le condutture dell'acqua calda: si eviteranno così inutili sprechi di energia.

Montaggio valvola di ritegno/sicurezza: la valvola è in dotazione all'apparecchio e non montata. E' necessario montarla sull'ingresso dell'acqua fredda al momento dell'installazione dell'apparecchio. (S - FIG\_8-1).



**ATTENZIONE: non sostituire la valvola di sicurezza e non ritorno in dotazione con l'apparecchio con una valvola di non ritorno (clapet).**

**ATTENZIONE: collegare lo scarico dell'acqua della valvola a un tubo di gomma avente un diametro interno di 9,5 mm. Questo tubo di scarico deve essere installato con una pendenza costante verso il basso e in un luogo protetto da ghiaccio.**

## 9. COLLEGAMENTI ELETTRICI

L'apparecchio deve essere collegato ad una alimentazione elettrica monofase (si prega di fare attenzione a collegare la corretta tensione: 120 V o 230 V secondo l'etichetta dati sull'apparecchio) e ad una buona connessione di terra.



**IL COSTRUTTORE NON ACCETTA LA RESPONSABILITÀ PER DANNI POSSIBILI O LESIONI CAUSATI DALLA MANCANZA DI COLLEGAMENTO DI TERRA DELL'APPARECCHIO**

L'apparecchio è dotato di un cavo di alimentazione con spina Schuko. Collegare il cavo di alimentazione in conformità con le norme di cablaggio in vigore nel paese in cui è installato l'apparecchio. In caso di sostituzione del cavo di alimentazione elettrica, utilizzare solo un cavo con le stesse caratteristiche (H05 VV-F - 3x1, 5 mmq).

Nel caso in cui non sia necessario utilizzare la spina Schuko è possibile tagliare il cavo di alimentazione e collegarlo ad una spina differente o direttamente al collegamento dell'alimentazione. Si prega di fare attenzione a collegare correttamente le polarità (FIG\_9-1):

- L → fase (cavo marrone)
- N → neutro (cavo blu)

Prevedere un interruttore bipolare vicino all'apparecchio per consentire l'isolamento dell'apparecchio.



**ATTENZIONE: PRIMA DI OPERARE SUL TERMOSTATO, ACCERTARSI CHE L'ALIMENTAZIONE ELETTRICA SIA COMPLETAMENTE SCOLLEGATA.**





**10. ISTRUZIONI PER L'USO**

La resistenza elettrica è dotata di un termostato che ha la seguente duplice funzione:

1. impostazione della temperatura. (T - FIG\_9-1), interrompendo l'alimentazione elettrica alla resistenza elettrica dell'apparecchio quando viene raggiunta la temperatura preimpostata (è possibile regolare il termostato tra 13 °C e 65 °C, secondo le necessità dell'utente).
2. sicurezza : interrompe l'alimentazione elettrica alla resistenza elettrica quando, in caso di cattivo funzionamento dell'apparecchio, la temperatura dell'acqua immagazzinata raggiunge 83° C. Per avviare nuovamente l'apparecchio, è necessario un intervento manuale (riarmo manuale). In questo caso, attenersi alla seguente procedura:
  - a) scollegare l'alimentazione elettrica
  - b) rimuovere il cappuccio di protezione della resistenza elettrica
  - c) premere il pulsante di reset posizionato sul termostato (R - FIG\_9-1)
  - d) mettere il coperchio di protezione della resistenza elettrica
  - e) ripristinare l'alimentazione elettrica



**ATTENZIONE: COLLEGARE L'ALIMENTAZIONE ALLA RESISTENZA ELETTRICA SOLO QUANDO IL SERBATOIO È PIENO D'ACQUA. L'ELEMENTO RISCALDANTE NON È ADATTO PER UN FUNZIONAMENTO A SECCO.**

**11. MANUTENZIONE DELL'APPARECCHIO**

Per rendere il funzionamento dell'apparecchio sicuro ed estendere la vita dello stesso, è consigliato almeno una volta all'anno un controllo periodico da parte di un servizio di tecnico specializzato.

Operazioni consigliate durante il controllo periodico :

- sigillare i raccordi idraulici
- verificare il mancato allentamento della valvola di sicurezza e verificare che non sia otturata per eventuali depositi di calcare
- verifica del fissaggio (sostituire le viti di fissaggio nel caso siano usurate)
- efficienza dell'impianto elettrico e della messa a terra e condizioni del cavo di alimentazione (se danneggiato deve essere sostituito dal produttore, servizio tecnico autorizzato o da personale qualificato)



**ATTENZIONE: IL GELO PUÒ PROVOCARE DANNI PERMANENTI ALL'APPARECCHIO. NEL CASO IN CUI L'APPARECCHIO NON SIA UTILIZZATO DURANTE LA STAGIONE FREDDA SVUOTARE COMPLETAMENTE L'APPARECCHIO (UTILIZZARE IL RUBINETTO DI SCARICO D (FIG\_08-1)**

Per pulire l'involucro esterno (2 - FIG\_05-2) utilizzare solo acqua e sapone neutro. Si consiglia di utilizzare un panno morbido avendo cura di risciacquare e asciugare accuratamente. Non devono essere utilizzati prodotti contenenti sostanze abrasive.

**12. GARANZIA**

Le condizioni di garanzia sono valide a condizione che vengano seguite le istruzioni di installazione contenute in questo manuale.

La garanzia decorre dalla data di acquisto del cliente finale da comprovare con scontrino e ha una durata di :

- 5 anni dalla data di acquisto limitatamente alle perdite dal serbatoio (che è la parte più critica dell'apparecchio).
- 3 anni su altri componenti come la resistenza elettrica (riscaldatore).

Per motivi di sicurezza e per la validità della garanzia è obbligatorio utilizzare solo ricambi originali.

**13. ACCESSORI DISPONIBILI SU RICHIESTA**

codice 56-47464-01	KIT MISCELATORE TERMOSTATICO AQUAH (fig. FIG_13-1)	permette di impostare una temperatura costante di acqua calda (tra 30° C e 65°C)
Codice 56-A.BGOM	KIT RACCORDI PORTAGOMMA AQUAH (FIG_13-2)	permette di effettuare collegamenti idraulici mediante tubi in gomma, invece di collegamenti filettati



## 14. PRINCIPALI RICAMBI (FIG\_14-1)

			56-47455-03	56-47456-03	56-47457-03	56-47458-03	56-47459-03	56-47455-01	56-47456-01	56-47457-01	56-47458-01	56-47459-01
			550 W	550 W	550 W	550 W	550 W	1250 W	1250 W	1250 W	1250 W	1250 W
			22 L	30 L	45 L	60 L	80 L	22 L	30 L	45 L	60 L	80 L
1	56-A.020-0052	PROTEZIONE	x	x	x	x	x	x	x	x	x	x
2	56-A.100-0086	GUARNIZIONE	x	x	x	x	x	x	x	x	x	x
3	56-A.130-0057	RUBINETTO DI SCARICO	x	x	x	x	x	x	x	x	x	x
4	56-A.130-0081	RACCORDO 14x1/2" M	x	x	x	x	x	x	x	x	x	x
5	56-A.130-0092	VALVOLA DI RITEGNO E SICUREZZA	x	x	x	x	x	x	x	x	x	x
6	56-A.130-0099	RACCORDO 18x1/2" M	x	x	x	x	x	x	x	x	x	x
7	56-A.140-0007	SERRA-FILO	x	x	x	x	x	x	x	x	x	x
8	56-A.280-0014	RESISTENZA ELETTRICA 550 W	x	x	x	x	x					
8	56-A.280-0016	RESISTENZA ELETTRICA 1250 W						x	x	x	x	x
9	56-A.280-0042	TERMOSTATO REGOLABILE	x	x	x	x	x	x	x	x	x	x
10	56-A.900-0135	CAVO ALIMENTAZIONE	x	x	x	x	x	x	x	x	x	x

Per ulteriori informazioni sui nostri uffici globali, autorizzazioni, certificazioni e agenti locali, visitare [www.spxflow.com](http://www.spxflow.com). SPX Flow Technology si riserva il diritto di apportare modifiche ai suoi progetti e materiali senza preavviso o obbligo. Le caratteristiche del design, i materiali da costruzione e le dimensioni descritti in questo bollettino sono solo per vostra informazione e non sono soggetti ad alcun obbligo, se non approvati per iscritto.



Made by SPX FLOW Johnson Pump®

RELIABILITY ON BOARD  
-SINCE 1968-



La gama de calentadores de agua **AquaH Marine incluye 10 modelos diferentes** disponibles con las siguientes características que cumplen con todas las necesidades de instalación y de uso.

- 5 volúmenes de almacenamiento (22 – 30- 45 – 60 – 80 litros / 5,8 – 7,9 – 11,9 – 15,8 – 21,0 galones)
- 2 potencias (550 w – 230 V / 1250 w – 230 V)

## 1. PRECAUCIONES GENERALES

Las siguientes instrucciones son importantes para garantizar la seguridad de instalación, uso y manutención del aparato.

- Este folleto es parte integral y esencial del calentador de agua: Por lo tanto se aconseja tener al alcance para cualquier consulta adicional.
- El calentador de agua ha sido fabricado para la producción de agua caliente: cualquier otro tipo de uso se considera peligroso e inadecuado.
- El aparato no debe instalarse en ambientes húmedos, por ejemplo: bañeras, lavabos, duchas, piscinas, etc. Este debe estar protegido de salpicaduras de agua, chorros de agua u otros líquidos, a fin de evitar cortocircuitos de dispositivos eléctricos.
- La instalación debe ser realizada por una persona cualificada y que será responsable de la aplicación de las normas de seguridad vigentes. La instalación incorrecta, causada por el incumplimiento de las instrucciones proporcionadas por el fabricante, puede causar lesiones a personas, animales o daños a otros equipos por los cuales el fabricante declina toda responsabilidad.
- Antes de conectar el calentador de agua, asegúrese de que las características eléctricas impresas en la placa de datos correspondan con las indicadas en la red eléctrica.
- Si el calentador de agua se instala en un baño, en una habitación húmeda o cerca del agua, tenga en cuenta las distancias de seguridad previstas por la legislación italiana CEI-EEC. Además, los interruptores o cualquier otro control eléctrico no debe estar al alcance de la persona que se está bañando o que está usando la bañera. No se debe tocar el aparato con las manos mojadas o húmedas.
- No permita que los niños o personas discapacitadas lo utilicen sin supervisión.
- Las piezas de embalaje (bolsas de plástico, poliestireno, clips, etc.) deben mantenerse alejadas de los niños, ya que pueden ser peligrosas y pueden producir asfixia y muerte por sofocación en poco tiempo.
- Lea este folleto con atención, ya que proporciona instrucciones útiles sobre seguridad, instalación, uso y mantenimiento.
- Si el aparato se vende o se traspasa a otro propietario, asegúrese de que este manual acompañe al aparato, para que el nuevo propietario y / o el instalador puedan consultarlo.
- Para evitar el riesgo de daños por heladas, si el aparato no se utiliza durante un período prolongado y se instala en una habitación sin calefacción, se recomienda vaciarlo por completo. El fabricante no se hace responsable de ningún daño o rotura debido a heladas o fugas de agua del sistema.
- Para el mejor rendimiento de calentamiento de agua y para fines de garantía, siga estrictamente las instrucciones a continuación.

## 2. CARACTERÍSTICAS TÉCNICAS

		56-47455-03	56-47455-01	56-47456-03	56-47456-01	56-47457-03	56-47457-01	56-47458-03	56-47458-01	56-47459-03	56-47459-01
alimentación eléctrica	V~ A	230 2,2	230 5,2	230 2,2	230 5,2	230 2,2	230 5,2	230 2,2	230 5,2	230 2,2	230 5,2
potencia	W	550	1250	550	1250	550	1250	550	1250	550	1250
Volumen	L ( gal )	22 ( 5,8 )		30 ( 7,9 )		45 ( 11,9 )		60 ( 15,8 )		80 ( 21,0 )	
Presión máxima	kPa ( psi )	700 ( 102 )		700 ( 102 )		700 ( 102 )		700 ( 102 )		700 ( 102 )	
Peso en vacío	kg ( lb )	10,0 ( 22 )		11,5 ( 25 )		15,0 ( 33 )		17,3 ( 38 )		20,0 ( 40 )	
Dimensiones	mm pulg."	320 x 320 x 525 12,6 x 12,6 x 20,7		320 x 320 x 659 12,6 x 12,6 x 25,9		320 x 320 x 920 12,6 x 12,6 x 36,2		320 x 320 x 1105 12,6 x 12,6 x 43,2		320 x 320 x 1315 12,6 x 12,6 x 51,5	



### 3. CONTENIDO DEL EMBALAJE

El aparato está empaquetado y entregado en caja de cartón con protección adecuada. Además del aparato, en el interior de la caja se encuentran:

- a) Manual de instalación
- b) Kit fijación
- c) Válvula de seguridad antiretorno

### 4. DIMENSIÓN (ver fig. FIG\_4-1)

	A		B	
	mm	inch "	mm	inch "
56-47455-03	404	15,8	525	20,7
56-47455-01	404	15,8	525	20,7
56-47456-03	538	21,1	659	25,9
56-47456-01	538	21,1	659	25,9
56-47457-03	799	31,3	920	36,2
56-47457-01	799	31,3	920	36,2
56-47458-03	984	38,5	1105	43,2
56-47458-01	984	38,5	1105	43,2
56-47459-03	1194	46,7	1315	51,5
56-47459-01	1194	46,7	1315	51,5

### 5. DESCRIPCIÓN DE MONTAJE Y FUNCIONAMIENTO

El propósito de este aparato es calentar el agua sanitaria de dos formas diferentes (ver fig FIG\_5-1):

- A. Mediante el intercambio de calor entre el agua de refrigeración del motor y el agua almacenada en el depósito. La conmuta de calor es posible gracias a un intercambiador de calor. El agua de refrigeración del motor circula a través de un serpentín colocado en el centro del tanque para distribuir el calor de manera uniforme.
- B. Mediante una resistencia eléctrica (suministrada de serie con el aparato).

Partes principales (ver FIG\_5-2.):

1. Tanque de almacenamiento: está construido íntegramente en acero inoxidable AISI 316L.
2. Revestimiento exterior metálico: es muy resistente a los golpes y tensiones externas, a la vez que tiene un diseño muy agradable.
3. Aislamiento térmico: fabricado con espuma de poliuretano de celda cerrada, evita pérdidas innecesarias de calor. De esta forma se reduce la pérdida de calor por inercia térmica a 1°C por hora durante un periodo de 24 horas.
4. Intercambiador de calor: está fabricado en acero inoxidable AISI 316L. Su superficie de intercambio permite aprovechar al máximo el calor del agua de refrigeración del motor y obtener agua caliente incluso en condiciones extremas (diferencias de temperatura muy pequeñas).
5. Termostato: tiene dos funciones, a saber:
  - a) una. Termostato ajustable: interrumpe el suministro de energía al elemento calentador cuando se alcanza la temperatura preestablecida (la temperatura se puede ajustar entre 13 ° C y 65 ° C, según las necesidades del usuario).
  - b) Termostato de seguridad: corta la alimentación de la resistencia cuando, en caso de mal funcionamiento del aparato, la temperatura del agua alcanza los 83°C. Se requiere una intervención manual para reiniciar el aparato (reinicio manual).

Rango de temperatura: de 13 ° C a 65 ° C

Temperatura de seguridad: 83 ° C

Corriente máxima: 16 A

6. Calentador eléctrico: el aparato está equipado con una resistencia eléctrica (550/1250W, 230V ~) para calentar el agua incluso cuando el motor del barco está apagado (por ejemplo, cuando el barco está en un muelle).  
Material: aleación INCOLOY resistente a la corrosión.
7. Válvula de drenaje
8. Entrada de agua fría y válvula de seguridad y antirretorno: evita que el agua caliente regrese al tubo de entrada de agua fría. También es una válvula de seguridad de sobrepresión: protege el depósito de posibles presiones excesivas provocadas por la dilatación del agua durante el calentamiento. El agua se descarga a través del desagüe con el que está equipada la válvula. Calibración: 800 ± 50 kPa (116 ± 7 psi)



9. Salida de agua caliente
10. Revestimiento exterior de plástico

## 6. INSTRUCCIÓN DE INSTALACIÓN

- La instalación se debe ejecutar, cumpliendo con la legislación vigente, por una persona cualificada que configurará correctamente el aparato, y también realizará las pruebas necesarias antes de poner en marcha el calentamiento del agua.
- Siga atentamente las instrucciones de este folleto durante la instalación original o el mantenimiento posterior. Los cambios en cualquier tipo de conexión o el incumplimiento de las instrucciones proporcionadas harán que la garantía caduque.
- Desconectar el aparato de la fuente de alimentación antes de la instalación, mantenimiento o reparación.

## 7. POSICIÓN Y MONTAJE

La cubierta en plástico negro tiene 4 orificios de fijación (A – FIG\_7-1). De esta manera se obtiene una instalación firme, segura y fácil. Utilice el kit de tuercas de fijación para sujetar el aparato (suministrado de serie).

La instalación del aparato se debe realizar de manera que el intercambiador de calor y / o la resistencia eléctrica se coloquen en la parte inferior (FIG\_7-2).

Posiciones permitidas :

- A, B, C\* : todos los modelos
- \*: es necesario invertir la entrada fría y la salida caliente. En los modelos 56-47455-03 e 56-47455-01 la efectividad del calentamiento permanece sin cambios. Para los otros modelos se permite la posición C, pero se reduce la efectividad del calentamiento.

El aparato se puede instalar en cualquier espacio, sin limitaciones. Lo anterior no exime de cumplir con las instrucciones provistas en el párrafo "Precauciones generales" al comienzo de este folleto.

## 8. INSTALACIONES HIDRÁULICAS Y CALIDAD DEL AGUA

Para prolongar la vida útil del aparato, la calidad del agua debe cumplir con los siguientes parámetros, tal como lo exige la Directiva Europea 98/83 / CE (relativa a la calidad de las aguas destinadas al consumo humano):

- dureza entre 15 y 50 ° F (en particular cuando el agua haya sido sometida a un tratamiento de ablandamiento o desalación)
- cloruros entre 25 y 100 mg/l
- PH entre 6,5 y 9,5
- conductividad entre 400 y 1500 µS/cm

Conectar el aparato siguiendo las indicaciones (FIG\_8-1):

1. ingreso agua fría (1/2 ")
2. salida agua caliente (1/2 ")
3. suministro de agua al circuito de refrigeración del motor (1/2 ")
4. retorno de agua del circuito de refrigeración del motor (1/2")

Presión mínima de entrada de agua: 70 kpa.

Es recomendable aislar las tuberías de agua caliente: esto evitará un derroche innecesario de energía.

Montaje de la válvula de retención / seguridad: la válvula se suministra con el dispositivo y no está montada. Es necesario montarla en la entrada de agua fría al instalar el aparato. (S - FIG\_8-1).



**ATENCIÓN: No sustituya la válvula de seguridad y de retención suministrada con el aparato por una válvula de retención (clapeta).**

**ATENCIÓN: conectar el desagüe de la válvula a un tubo de goma con diámetro interno de 9,5 mm. Esta tubería de drenaje debe instalarse en pendiente descendente constante y en un lugar protegido del hielo.**

## 9. CONEXIÓN ELÉCTRICA

El aparato debe estar conectado a una fuente de alimentación monofásica (tenga cuidado en conectar el voltaje correcto: 120 V o 230 V según la etiqueta de datos del aparato) y a una buena conexión a tierra.



**EL FABRICANTE NO SE RESPONSABILIZA POR LOS DAÑOS O LESIONES CAUSADOS POR LA FALTA DE CONEXIÓN A TIERRA DEL APARATO.**

El aparato está equipado con un cable de alimentación con enchufe Schuko. Conecte el cable de alimentación de acuerdo con las normas de cableado vigentes en el país donde está instalado el aparato. Cuando reemplace el cable de la fuente de alimentación, use solo un cable con las mismas características (H05 VV-F - 3x1, 5 mm<sup>2</sup>).

Si no se necesita utilizar el enchufe Schuko, es posible cortar el cable de alimentación y conectarlo a un enchufe diferente o directamente a la conexión de la fuente de alimentación.



Asegúrese de conectar las polaridad correctamente (FIG\_9-1):

- L → fase (cable marrón)
- N → neutro (cable azul)

Proporcione un interruptor bipolar cerca del aparato para permitir el aislamiento.



**ATENCIÓN: ASEGÚRESE DE QUE EL SUMINISTRO ELÉCTRICO ESTÉ COMPLETAMENTE DESCONECTADO ANTES DE TRABAJAR EN EL TERMOSTATO**

## 10. INSTRUCCIONES DE USO

La resistencia eléctrica está equipada con un termostato con la siguiente función dual:

1. configuración de la temperatura. (T - FIG\_9-1), interrumpir el suministro de energía a la resistencia eléctrica del aparato cuando se alcanza la temperatura preestablecida (es posible regular el termostato entre 13 ° C y 65 ° C, según las necesidades del usuario).
2. seguridad : interrumpe el suministro de energía a la resistencia eléctrica cuando, en caso de mal funcionamiento del aparato, la temperatura del agua almacenada alcanza 83° C. Para reiniciar el aparato, se requiere la intervención manual (reinicio manual). Siga estos pasos en este caso:
  - a) desconecte la alimentación eléctrica
  - b) quite la tapa protectora de la resistencia eléctrica
  - c) presione el botón de reinicio ubicado en el termostato (R - FIG\_9-1)
  - d) coloque la tapa protectora de la resistencia eléctrica



**ATENCIÓN: CONECTAR LA ALIMENTACIÓN A LA RESISTENCIA ELÉCTRICA SÓLO CUANDO EL TANQUE ESTÁ LLENO DE AGUA. EL ELEMENTO CALEFACTOR NO ES APTO PARA FUNCIONAMIENTO EN SECO.**

## 11. MANUTENCIÓN DEL APARATO

Para prolongar la vida útil del aparato y para que el funcionamiento del aparato sea seguro, se recomienda una revisión periódica por parte de un técnico especializado al menos una vez al año.

Operaciones recomendadas durante la verificación periódica :

- sellar las conexiones hidráulicas
- no aflojar la válvula de seguridad y comprobar que no esté bloqueada por depósitos de cal
- comprobar la fijación (sustituir los tornillos de fijación si están gastados)
- eficiencia del sistema eléctrico y puesta a tierra y estado del cable de alimentación (debe ser reemplazado por el fabricante, servicio técnico autorizado o personal calificado)



**ATENCIÓN: EL HIELO PUEDE CAUSAR DAÑOS PERMANENTES EN EL APARATO. SI EL APARATO NO SE UTILIZA DURANTE LA TEMPORADA DE FRÍO, VACIAR COMPLETAMENTE EL APARATO (UTILICE EL GRIFO DE DRENAJE D (FIG\_08-1)**

Para limpiar la carcasa exterior (2 - FIG\_05-2) utilice únicamente agua y jabón neutro. Se recomienda utilizar un paño suave teniendo cuidado de enjuagar y secar bien. No se deben utilizar productos que contengan sustancias abrasivas.

## 12. GARANTÍA

Las condiciones de garantía son válidas siempre que se sigan las instrucciones de instalación contenidas en este manual.

La garantía comienza a partir de la fecha de compra del cliente final comprobada con el recibo original y tiene una duración de:

- 5 años desde la fecha de compra limitados a fugas del tanque (parte más sensible del aparato).
- 3 años en otros componentes como la resistencia eléctrica (calefactor).

Por razones de seguridad y para la vigencia de la garantía es obligatorio utilizar únicamente repuestos originales.

## 13. ACCESORIOS DISPONIBLES BAJO PEDIDO

Código 56-47464-01	KIT MEZCLADOR TERMOSTÁTICO AQUAH (fig. FIG_13-1)	permite establecer una temperatura constante del agua (entre 30° C y 65°C)
Código 56-A.BGOM	KIT GUARNICIONES MANGUERA AQUAH (FIG_13-2)	permite realizar conexiones hidráulicas mediante mangueras de goma, en lugar de conexiones roscadas



## 14. PIEZAS DE REPUESTO PRINCIPALES (FIG\_14-1)

			56-47455-03	56-47456-03	56-47457-03	56-47458-03	56-47459-03	56-47455-01	56-47456-01	56-47457-01	56-47458-01	56-47459-01
			550 W	550 W	550 W	550 W	550 W	1250 W	1250 W	1250 W	1250 W	1250 W
			22 L	30 L	45 L	60 L	80 L	22 L	30 L	45 L	60 L	80 L
1	56-A.020-0052	PROTECCIÓN	x	x	x	x	x	x	x	x	x	x
2	56-A.100-0086	GUARNICIÓN	x	x	x	x	x	x	x	x	x	x
3	56-A.130-0057	GRIFO DE DESAGÜE	x	x	x	x	x	x	x	x	x	x
4	56-A.130-0081	GUARNICIÓN 14x1/2" M	x	x	x	x	x	x	x	x	x	x
5	56-A.130-0092	VÁLVULA DE SEGURIDAD ANTIRETORNO	x	x	x	x	x	x	x	x	x	x
6	56-A.130-0099	GUARNICIÓN 18x1/2" M	x	x	x	x	x	x	x	x	x	x
7	56-A.140-0007	TORNILLO	x	x	x	x	x	x	x	x	x	x
8	56-A.280-0014	RESITENCIA ELÉCTRICA 550 W	x	x	x	x	x					
8	56-A.280-0016	RESITENCIA ELÉCTRICA 1250 W						x	x	x	x	x
9	56-A.280-0042	TERMOSTATO REGULABLE	x	x	x	x	x	x	x	x	x	x
10	56-A.900-0135	CABLE DE ALIMENTACIÓN	x	x	x	x	x	x	x	x	x	x

Para obtener más información sobre nuestras oficinas globales, permisos, certificaciones y agentes locales, visite [www.spxflow.com](http://www.spxflow.com). SPX Flow Technology se reserva el derecho de realizar cambios en sus diseños y materiales sin previo aviso ni obligación. Las características de diseño, los materiales de construcción y las dimensiones que se describen en este boletín son solo para su información y no están sujetos a ninguna obligación, a menos que se aprueben por escrito.



Made by SPX FLOW Johnson Pump®

RELIABILITY ON BOARD  
-SINCE 1968-



La gamme de chauffe-eau Aquah Marine comprend 10 différents modèles, qui sont disponibles avec les caractéristiques suivantes pour répondre à tous les besoins d'installation et d'utilisation :

- 5 capacités de stockage (22 – 30 – 45 – 60 - 80 litres / 5,8 – 7,9 – 11,9 – 15,8 – 21,0 gallons)
- 2 puissances (550 w – 230 V / 1250 w – 230 V)

## 1. PRÉCAUTIONS GÉNÉRALES

Les instructions ci-dessous sont importantes pour garantir la sécurité d'installation, utilisation et entretien de l'appareil.

- Cette notice technique fait partie intégrante et essentielle du chauffe-eau : elle doit donc être tenue à portée de main pour toute consultation ultérieure.
- Le chauffe-eau a été conçu pour la production d'eau chaude : tout autre type d'utilisation doit être considéré comme dangereux et non approprié.
- L'appareil ne doit pas être installé dans des environnements humides, baignoires, lavabos, douches, piscines, etc. et doit être protégé contre les éclaboussures et jets d'eau ou d'autres liquides, afin d'éviter les courts-circuits des dispositifs électriques.
- L'installation doit être effectuée par une personne qualifiée, qui est responsable de l'application des règles de sécurité en vigueur. L'installation incorrecte, due au non-respect des renseignements du Fabricant, peut causer des blessures à des personnes, des animaux ou des dommages à d'autres équipements, pour lesquels le Fabricant décline toute responsabilité.
- Avant de brancher le chauffe-eau, assurez-vous que les caractéristiques électriques imprimées sur la plaque signalétique correspondent à celles du réseau électrique.
- Si le chauffe-eau est installé dans une salle de bain, dans une pièce humide ou près de l'eau, respecter les distances de sécurité prévues par la norme CEI-CEE. En outre, les interrupteurs ou toute autre commande électrique ne doivent pas être accessibles à toute personne prenant une douche ou utilisant la baignoire. Ne touchez pas l'appareil avec des mains mouillées ou humides.
- Ne pas autoriser l'utilisation par des enfants ou des personnes incapables sans aucun contrôle.
- Les parties de l'emballage (sacs en plastique, polystyrène, clips, etc.) doivent être tenues à l'écart des enfants, car elles peuvent être dangereuses.
- Lisez attentivement cette notice technique, car elle fournit des renseignements utiles en matière de sécurité, d'installation, d'utilisation et de maintenance.
- Si l'appareil doit être vendu ou déplacé à un autre propriétaire, assurez-vous que cette notice technique accompagne l'appareil, afin que le nouveau propriétaire et / ou l'installateur puissent la consulter.
- Si l'appareil n'est pas utilisé pendant une longue période et est installé dans un endroit non chauffé, il est conseillé de le vider complètement pour éviter le risque de dommages dus au gel. Le Fabricant n'est pas responsable des dommages ou ruptures causés par le gel ou par des fuites d'eau de l'installation.
- Pour obtenir les meilleures performances en termes de chauffage eau et à des fins de garantie, respecter strictement les instructions ci-dessous.

## 2. CARACTERISTIQUES TECHNIQUES

		56-47455-03	56-47455-01	56-47456-03	56-47456-01	56-47457-03	56-47457-01	56-47458-03	56-47458-01	56-47459-03	56-47459-01
Alimentation électrique	V~	230	230	230	230	230	230	230	230	230	230
	A	2,2	5,2	2,2	5,2	2,2	5,2	2,2	5,2	2,2	5,2
puissance	W	550	1250	550	1250	550	1250	550	1250	550	1250
Capacité		L ( gal )		30 ( 7,9 )		45 ( 11,9 )		60 ( 15,8 )		80 ( 21,0 )	
pression maximale	kPa ( psi )	700 ( 102 )		700 ( 102 )		700 ( 102 )		700 ( 102 )		700 ( 102 )	
Poids à vide	kg ( lb )	10,0 ( 22 )		11,5 ( 25 )		15,0 ( 33 )		17,3 ( 38 )		20,0 ( 40 )	
dimensions	mm	320 x 320 x 525		320 x 320 x 659		320 x 320 x 920		320 x 320 x 1105		320 x 320 x 1315	
	inch"	12,6 x 12,6 x 20,7		12,6 x 12,6 x 25,9		12,6 x 12,6 x 36,2		12,6 x 12,6 x 43,2		12,6 x 12,6 x 51,5	





### 3. CONTENU DE L'EMBALLAGE

L'appareil est conditionné et livré dans une boîte en carton avec une protection adéquate. A l'intérieur de la boîte il y a, en plus de l'appareil :

- a) la notice d'installation
- b) le kit vis de fixation
- c) la soupape de retenue et sécurité

### 4. DIMENSIONS (voir figure FIG\_4-1)

	A		B	
	mm	inch "	mm	inch "
56-47455-03	404	15,8	525	20,7
56-47455-01	404	15,8	525	20,7
56-47456-03	538	21,1	659	25,9
56-47456-01	538	21,1	659	25,9
56-47457-03	799	31,3	920	36,2
56-47457-01	799	31,3	920	36,2
56-47458-03	984	38,5	1105	43,2
56-47458-01	984	38,5	1105	43,2
56-47459-03	1194	46,7	1315	51,5
56-47459-01	1194	46,7	1315	51,5

### 5. DESCRIPTION DE CONSTRUCTION ET FONCTIONNEMENT

Le but de cet appareil est de chauffer l'eau chaude sanitaire de deux façons différentes (voir figure FIG\_5-1):

- A. par l'échange de la chaleur entre l'eau de refroidissement du moteur et l'eau stockée dans le réservoir. Cet échange thermique est possible grâce à un échangeur de chaleur. L'eau de refroidissement du moteur circule à travers un serpentin placé au centre du réservoir pour diffuser uniformément la chaleur.
- B. au moyen d'une résistance électrique (fournie de série avec l'appareil).

Pièces principales (voir FIG\_5-2.) :

1. Cuve de stockage : elle est entièrement réalisée en acier inoxydable AISI 316L.
2. Revêtement extérieur métallique : il est très résistant aux chocs et sollicitations externes, tout en ayant un design très agréable.
3. Isolation thermique : réalisée en mousse polyuréthane à cellules fermées, elle évite les déperditions de chaleur inutiles. De cette façon la perte de chaleur due à l'inertie thermique est réduite à 1°C par heure pendant une durée de 24 heures.
4. Échangeur de chaleur : il est fabriqué en acier inoxydable AISI 316L. Sa surface d'échange permet de tirer le meilleur parti de la chaleur de l'eau de refroidissement du moteur et d'obtenir de l'eau chaude même dans des conditions extrêmes (très faibles écarts de température).
5. Thermostat : a deux fonctions, à savoir :
  - a) thermostat réglable : interrompt l'alimentation de l'élément chauffant lorsque la température prééglée est atteinte (la température peut être réglée entre 13°C et 65°C, selon les besoins de l'utilisateur).
  - b) thermostat de sécurité : coupe l'alimentation de la résistance lorsque, en cas de dysfonctionnement de l'appareil, la température de l'eau atteint 83°C. Une intervention manuelle est nécessaire pour redémarrer l'appareil (réinitialisation manuelle).

Plage de température : de 13°C à 65°C

Température de sécurité : 83°C

Courant maximum : 16 A

6. Réchauffeur électrique : l'appareil est équipé d'une résistance électrique (550/1250W, 230V ~) pour chauffer l'eau même lorsque le moteur du bateau est éteint (par exemple lorsque le bateau est à quai). Matériau : alliage INCOLOY résistant à la corrosion.
7. Vanne de vidange
8. Arrivée d'eau froide et clapet de sécurité et anti-retour : empêche l'eau chaude de refluer dans le tuyau d'arrivée d'eau froide. C'est aussi une soupape de sécurité de surpression : elle protège le réservoir d'éventuelles surpressions provoquées par la dilatation de l'eau lors du chauffage. L'eau est évacuée par le drain dont est équipée la vanne. Étalonnage : 800 ± 50 kPa (116 ± 7 psi)
9. Sortie eau chaude
10. Revêtement extérieur en plastique

### 6. INSTRUCTIONS D'INSTALLATION

- L'installation doit être effectuée, conformément aux normes en vigueur, par une personne qualifiée qui peut faire, non seulement un réglage correct de l'appareil, mais aussi les essais nécessaires avant de commencer le chauffage de l'eau.
- Lors de l'installation d'origine ou d'une maintenance suivante, suivre attentivement les instructions données dans cette notice. Toutes modifications à n'importe quelle connexion ou le non-respect des instructions fournies entraîneront la perte au droit de garantie.



- Avant l'installation, l'entretien ou la réparation, couper l'alimentation électrique de l'appareil.

## 7. MISE EN PLACE ET MONTAGE

L'enveloppe en plastique noir est équipée de 4 trous de fixation (A - FIG\_7-1). De cette façon, on a une installation facile, mais ferme et sûre. Pour la fixation de l'appareil, utiliser le kit vis de fixation (fourni de série avec l'appareil).

L'appareil doit être installé de façon que l'échangeur de chaleur et/ou la résistance électrique soient placés dans la partie inférieure (FIG\_7-2).

Positions autorisées :

- A, B, C\* : tous les modèles
- \* : Il est nécessaire inverser l'entrée eau froide avec la sortie eau chaude. Pour les modèles 56-47455-03 et 56-47455-01 l'efficacité du chauffage reste inchangée. Pour les autres modèles, la position C est possible, mais l'efficacité du chauffage sera inférieure.

L'appareil peut être installé dans n'importe quel endroit, sans de restrictions. Cela ne dispense pas de respecter les renseignements donnés dans le paragraphe "Précautions générales", au début de cette notice.

## 8. RACCORDEMENTS HYDRAULIQUES ET QUALITE DE L'EAU

Pour prolonger la durée de vie de l'appareil, la qualité de l'eau doit respecter les paramètres suivants, comme prévu par la Directive Européenne 98/83/CE (concernant la qualité des eaux destinées à la consommation humaine) :

- dureté comprise entre 15 et 50°F (en particulier, où l'eau a subi un adoucissement ou un traitement de dessalement)
- chlorures compris entre 25 et 100 mg/l
- PH compris entre 6,5 et 9,5
- conductivité comprise entre 400 et 1500 µs/cm

Connecter l'appareil selon les indications suivantes (FIG\_8-1) :

1. entrée eau froide (1/2 ")
2. sortie eau chaude (1/2 ")
3. entrée eau circuit de refroidissement du moteur (1/2 ")
4. sortie eau circuit de refroidissement du moteur (1/2")

Pression minime entrée eau : 70 kpa.

Il est conseillé d'isoler le tube d'eau chaude : on évitera ainsi des gaspillages inutiles d'énergie.

Montage soupape de retenue/sécurité : la soupape est fournie avec l'appareil et non montée. Il est nécessaire de la monter sur l'entrée d'eau froide lors de l'installation de l'appareil. (S - FIG\_8-1).



**ATTENTION : ne pas remplacer la soupape de retenue et sécurité fournie avec l'appareil par une seule soupape antiretour (clapet).**

**ATTENTION : raccorder le raccord de vidange de la vanne à un tube en caoutchouc ayant un diamètre intérieur de 9,5 mm. Ce tube de vidange doit être installé avec une pente constante vers le bas et dans un endroit protégé par le gel.**

## 9. RACCORDEMENTS ELECTRIQUES

L'appareil doit être connecté à une alimentation électrique monophasée (veuillez prendre soin de brancher la tension correcte : 120 V ou 230 V selon la plaque signalétique de l'appareil) et à une bonne mise à la terre.



**LE FABRICANT DECLINE TOUTE RESPONSABILITE EN CAS DE DOMMAGES EVENTUELS OU LÉSIONS CAUSEES PAR L'ABSENCE DE MISE A LA TERRE DE L'APPAREIL**

L'appareil est équipé d'un câble d'alimentation avec prise Schuko. Branchez le câble d'alimentation conformément aux règles de câblage en vigueur dans le pays où l'appareil est installé. En cas de remplacement du câble d'alimentation électrique, utilisez uniquement un câble ayant les mêmes caractéristiques (H05 VV-F - 3x1, 5 mmq).

Dans le cas où il n'est pas nécessaire d'utiliser la prise Schuko, il est possible de couper le câble d'alimentation et de le brancher à une prise différente ou directement à la connexion de l'alimentation. Attention à bien connecter les polarités (FIG\_9-1) :

- L → phase (câble marron)
- N → neutre (câble bleu)

Prévoir un interrupteur bipolaire à proximité de l'appareil pour permettre l'isolation de l'appareil.



**ATTENTION : AVANT DE N'IMPORTE QUELLE INTERVENTION SUR LE THERMOSTAT, ASSUREZ-VOUS QUE L'ALIMENTATION ELECTRIQUE SOIT COMPLETEMENT DECONNECTEE.**



## 10. INSTRUCTIONS D'UTILISATION

La résistance électrique est pourvue d'un thermostat qui assure la double fonction suivante :

1. Réglage température (T - FIG\_9-1) : il coupe l'alimentation électrique à la résistance électrique de l'appareil lorsque la température pré-réglée est atteinte (le thermostat peut être réglé entre 13 et 65 °C selon les besoins de l'utilisateur).
2. sécurité : il coupe l'alimentation électrique lorsque, en cas de mauvais fonctionnement de l'appareil, la température de l'eau stockée atteint 83° C. Pour redémarrer l'appareil, une intervention manuelle est nécessaire (réarmement manuel). Dans ce cas, procédez comme suit :
  - a) Déconnecter l'alimentation électrique
  - b) retirer le capuchon de protection de la résistance électrique
  - c) Appuyez sur le bouton de réinitialisation placé sur le thermostat (R - FIG\_9-1)
  - d) mettre le couvercle de protection de la résistance électrique
  - e) réinitialiser l'alimentation électrique



**ATTENTION : BRANCHER L'ALIMENTATION A LA RESISTANCE ELECTRIQUE UNIQUEMENT LORSQUE LE RESERVOIR EST PLEIN D'EAU. L'ELEMENT CHAUFFANT NE CONVIENT PAS POUR UN FONCTIONNEMENT A SEC.**

## 11. ENTRETIEN DE L'APPAREIL

Un contrôle périodique par un service après-vente spécialisé est recommandé au moins une fois par an, pour assurer la sécurité de fonctionnement de l'appareil et en prolonger la durée de vie.

Opérations recommandées pendant le contrôle périodique :

- sceller les raccords hydrauliques
- vérifier que la soupape de sécurité est bien serrée et qu'elle n'est pas obturée pour les dépôts de calcaire
- vérifier la fixation (remplacer les vis de fixation en cas d'usure)
- vérifier l'efficacité de l'installation électrique et de la mise à la terre et l'état du câble d'alimentation (si endommagé, il doit être remplacé par le Fabricant, le service après-vente agréé ou par du personnel qualifié)



**ATTENTION : LE GEL PEUT CAUSER DES DOMMAGES PERMANENTS A L'APPAREIL. SI L'APPAREIL N'EST PAS UTILISÉ PENDANT LA SAISON FROIDE, VIDER COMPLÈTEMENT L'APPAREIL (UTILISER LE ROBINET DE VIDANGE D (FIG\_08-1))**

Pour nettoyer le boîtier extérieur (2 - FIG\_05-2) utiliser uniquement de l'eau et du savon neutre. Il est recommandé d'utiliser un chiffon doux en prenant soin de bien rincer et sécher. Les produits contenant des substances abrasives ne doivent pas être utilisés.

## 12. GARANTIE

Les conditions de garantie sont valables à condition de suivre les instructions d'installation contenues dans cette notice technique.

La garantie compte à partir de la date d'achat du client final à prouver avec un ticket de caisse et a une durée de :

- 5 ans à compter de la date d'achat uniquement pour les fuites d'eau du réservoir (qui est la partie la plus critique de l'appareil).
- 3 ans sur les autres composants tels que la résistance électrique (réchauffeur).

Pour des raisons de sécurité et pour la validité de la garantie, seules les pièces de rechange d'origine doivent être utilisées.

## 13. ACCESSOIRES DISPONIBLES SUR DEMANDE

code 56-47464-01	KIT MITIGEUR THERMOSTATIQUE AQUAH (fig. FIG_13-1)	Il permet de régler une température d'eau chaude constante (entre 30° C et 65°C)
Code 56-A.BGOM	KIT RACCORDS CANNELES AQUAH (FIG_13-2)	Il permet d'effectuer un raccordement hydraulique à l'aide de tuyaux en caoutchouc, au lieu de raccords filetés



## 14. PRINCIPALES PIÈCES DÉTACHÉES (FIG\_14-1)

			56-47455-03	56-47456-03	56-47457-03	56-47458-03	56-47459-03	56-47455-01	56-47456-01	56-47457-01	56-47458-01	56-47459-01
			550 W	550 W	550 W	550 W	550 W	1250 W	1250 W	1250 W	1250 W	1250 W
			22 L	30 L	45 L	60 L	80 L	22 L	30 L	45 L	60 L	80 L
1	56-A.020-0052	CAPUCHON	x	x	x	x	x	x	x	x	x	x
2	56-A.100-0086	JOINT	x	x	x	x	x	x	x	x	x	x
3	56-A.130-0057	ROBINET DE VIDANGE	x	x	x	x	x	x	x	x	x	x
4	56-A.130-0081	RACCORD 14x1/2" M	x	x	x	x	x	x	x	x	x	x
5	56-A.130-0092	SOUPAPE DE RETENUE ET SECURITE	x	x	x	x	x	x	x	x	x	x
6	56-A.130-0099	RACCORD 18x1/2" M	x	x	x	x	x	x	x	x	x	x
7	56-A.140-0007	SERRE-FIL	x	x	x	x	x	x	x	x	x	x
8	56-A.280-0014	RESISTANCE ELECTRIQUE 550 W	x	x	x	x	x					
8	56-A.280-0016	RESISTANCE ELECTRIQUE 1250 W						x	x	x	x	x
9	56-A.280-0042	THERMOSTAT REGLABLE	x	x	x	x	x	x	x	x	x	x
10	56-A.900-0135	CABLE ALIMENTATION	x	x	x	x	x	x	x	x	x	x

Pour plus d'informations sur nos bureaux mondiaux, les autorisations, les certifications et les agents locaux, veuillez visiter [www.spxflow.com](http://www.spxflow.com). SPX Flow Technology se réserve le droit d'apporter des modifications à ses conceptions et à ses matériaux sans préavis ni obligation. Les caractéristiques de conception, les matériaux de construction et les dimensions décrits dans ce bulletin sont pour votre information uniquement et ne sont soumis à aucune obligation, sauf approbation écrite.



Made by SPX FLOW Johnson Pump®

RELIABILITY ON BOARD  
-SINCE 1968-

Die Warmwasserbereiter der Reihe AquaH Marine **umfassen 10 verschiedene Ausführungen**, die mit folgenden Funktionen für viele Einbausituationen und Verwendungszwecke erhältlich sind:

- a) 5 Speicherkapazitäten (22 – 30 – 45 – 60 – 80 Liter bzw. 5,8 – 7,9 – 11,9 – 15,8 – 21,0 Gallonen)
- b) 2 Leistungen (550 W – 230 V und 1250 W – 230 V)

### 1. ALLGEMEINE VORSICHTSMASSNAHMEN

Die folgenden Anweisungen sind wichtig, um eine sichere Installation, Verwendung und Wartung des Geräts zu gewährleisten.

- Diese Broschüre ist fester und wesentlicher Bestandteil des Warmwasserbereiters und muss daher für weitere Fragen aufbewahrt werden.
- Der Warmwasserbereiter ist für die Warmwasserbereitung bestimmt. Jede sonstige Art der Verwendung ist als gefährlich und nicht bestimmungsgemäß anzusehen.
- Das Gerät darf nicht in feuchten Umgebungen, Badewannen, Waschbecken, Duschen, Schwimmbädern usw. aufgestellt werden und muss vor Spritzwasser, Strahlwasser oder sonstigen Flüssigkeiten geschützt werden, um elektrische Kurzschlüsse zu vermeiden.
- Die Installation muss von einer qualifizierten Person durchgeführt werden, die für die Anwendung der geltenden Sicherheitsvorschriften verantwortlich ist. Unsachgemäße Installation, verursacht durch Nichtbeachtung der Anweisungen des Herstellers, kann zu Verletzungen von Personen, Tieren oder Beschädigungen anderer Geräte führen, für die der Hersteller keine Verantwortung übernimmt.
- Stellen Sie vor dem Anschluss des Warmwasserbereiters sicher, dass die auf dem Typenschild angegebenen elektrischen Daten mit denen des Stromnetzes übereinstimmen.
- Wenn der Warmwasserbereiter in einem Badezimmer, einem Feuchtraum oder in der Nähe von Wasser installiert wird, müssen die in den CEI-EEC-Vorschriften vorgesehenen Sicherheitsabstände genau eingehalten werden. Außerdem dürfen Schalter oder sonstige elektrische Bedienelemente nicht von Personen erreicht werden können, die duschen oder die Badewanne benutzen. Berühren Sie das Gerät niemals mit nassen oder feuchten Händen.
- Das Gerät darf nicht von Kindern oder handlungsunfähigen Personen ohne Aufsicht verwendet werden.
- Verpackungsteile (Plastiktüten, Styropor, Klammern usw.) müssen von Kindern ferngehalten werden, da sie gefährlich sein können.
- Lesen Sie diese Broschüre sorgfältig durch, da sie nützliche Hinweise zu Sicherheit, Installation, Verwendung und Wartung enthält.
- Wenn das Gerät verkauft oder an einen anderen Besitzer weitergegeben wird, stellen Sie sicher, dass diese Anleitung dem Gerät beiliegt, damit der neue Besitzer und/oder der Installateur bei Fragen nachschlagen kann.
- Um die Gefahr von Frostschäden zu vermeiden, wird empfohlen, das Gerät bei längerer Nichtbenutzung und Aufstellung in einem unbeheizten Raum vollständig zu entleeren. Der Hersteller haftet nicht für Beschädigungen oder Brüche aufgrund von Frost oder Wasserleckagen aus dem System.
- Für eine optimale Leistung der Warmwasserbereitung und aus Garantiegründen müssen die folgenden Anweisungen strikt eingehalten werden.

### 2. TECHNISCHE EIGENSCHAFTEN

		56-47455-03	56-47455-01	56-47456-03	56-47456-01	56-47457-03	56-47457-01	56-47458-03	56-47458-01	56-47459-03	56-47459-01
Stromversorgung	V ~	230	230	230	230	230	230	230	230	230	230
Elektro	A	2,2	5,2	2,2	5,2	2,2	5,2	2,2	5,2	2,2	5,2
Leistung	W	550	1250	550	1250	550	1250	550	1250	550	1250
Kapazität		22 (5,8)		30 (7,9)		45 (11,9)		60 (15,8)		80 (21,0)	
Max. Druck	kPa (psi)	700 (102)		700 (102)		700 (102)		700 (102)		700 (102)	
Leergewicht	kg (lb)	10,0 (22)		11,5 (25)		15,0 (33)		17,3 (38)		20,0 (40)	
Größe	mm	320 x 320 x 525		320 x 320 x 659		320 x 320 x 920		320 x 320 x 1105		320 x 320 x 1315	
	Zoll "	12,6x12,6x20,7		12,6 x 12,6 x 25,9		12,6 x 12,6 x 36,2		12,6 x 12,6 x 43,2		12,6 x 12,6 x 51,5	



### 3. LIEFERUMFANG

Das Gerät wird in einem Karton mit ausreichendem Transportschutz verpackt und geliefert. Neben dem Gerät sind im Karton enthalten:

- a) Installationsanleitung
- b) Befestigungsschraubensatz
- c) Rückschlag-/Sicherheitsventil

### 4. ABMESSUNGEN (siehe Abb. FIG\_4-1)

	A		B	
	mm	inch "	mm	inch "
56-47455-03	404	15,8	525	20,7
56-47455-01	404	15,8	525	20,7
56-47456-03	538	21,1	659	25,9
56-47456-01	538	21,1	659	25,9
56-47457-03	799	31,3	920	36,2
56-47457-01	799	31,3	920	36,2
56-47458-03	984	38,5	1105	43,2
56-47458-01	984	38,5	1105	43,2
56-47459-03	1194	46,7	1315	51,5
56-47459-01	1194	46,7	1315	51,5

### 5. PRODUKTBESCHREIBUNG UND BETRIEB

Dieses Gerät ist dazu bestimmt, das Brauchwasser auf zwei verschiedene Arten zu erwärmen (siehe Abb. FIG\_5-1):

- A. Durch den Wärmeaustausch zwischen Motorkühlwasser und dem im Behälter gespeicherten Wasser. Dieser Wärmeaustausch wird durch einen Wärmetauscher ermöglicht. Das Motorkühlwasser zirkuliert durch eine Heizspirale in der Mitte des Behälters, um die Wärme gleichmäßig zu verteilen.
- B. Durch einen elektrischen Widerstand (im Lieferumfang des Geräts standardmäßig enthalten).

Hauptteile (siehe ABB\_5-2.):

1. Vorrattank: Er besteht vollständig aus Edelstahl AISI 316L.
2. Metallische Außenbeschichtung: ist sehr widerstandsfähig gegen äußere Stöße und Belastungen und hat ein sehr angenehmes Design.
3. Wärmedämmung: Hergestellt aus geschlossenzelligem Polyurethanschaum, vermeidet unnötige Wärmeverluste. Auf diese Weise wird der Wärmeverlust durch thermische Trägheit über einen Zeitraum von 24 Stunden auf 1 °C pro Stunde reduziert.
4. Wärmetauscher: Er besteht aus Edelstahl AISI 316L. Seine Austauschfläche ermöglicht es, die Wärme des Motorkühlwassers optimal zu nutzen und auch unter extremen Bedingungen (sehr geringe Temperaturunterschiede) heißes Wasser zu erhalten.
5. Thermostat: hat zwei Funktionen, nämlich:
  - A. einstellbarer Thermostat: unterbricht die Stromzufuhr zum Heizelement, wenn die voreingestellte Temperatur erreicht ist (die Temperatur kann zwischen 13 °C und 65 °C eingestellt werden, je nach Bedarf des Benutzers).
  - B. Sicherheitsthermostat: unterbricht die Stromzufuhr zum Heizelement, wenn bei einer Fehlfunktion des Gerätes die Wassertemperatur 83°C erreicht. Ein manueller Eingriff ist erforderlich, um das Gerät neu zu starten (manueller Reset).

Temperaturbereich: von 13 °C bis 65 °C

Sicherheitstemperatur: 83 °C

Maximaler Strom: 16 A

6. Elektroheizung: Das Gerät ist mit einem Elektroheizelement (550/1250W, 230V ~) ausgestattet, um das Wasser auch bei ausgeschaltetem Motor des Bootes zu erhitzen (zB wenn das Boot am Kai liegt). Material: korrosionsbeständige INCOLOY-Legierung.
7. Ablassventil
8. Kaltwasserzulauf und Sicherheits- und Rückschlagventil: verhindert, dass heißes Wasser in das Kaltwasserzulaufrohr zurückfließt. Es ist auch ein Überdruck-Sicherheitsventil: Es schützt den Tank vor möglichen Überdrücken, die durch die Ausdehnung des Wassers beim Erhitzen entstehen. Das Wasser wird durch den Abfluss abgelassen, mit dem das Ventil ausgestattet ist. Kalibrierung: 800 ± 50 kPa (116 ± 7 psi)
9. Warmwasserauslass
10. Außenbeschichtung aus Kunststoff

## 6. INSTALLATIONSANLEITUNG

- Die Installation muss von einer qualifizierten Person nach den geltenden Vorschriften durchgeführt werden; diese Person muss nicht nur das Gerät richtig einstellen, sondern auch die erforderlichen Prüfungen vor Inbetriebnahme der Warmwasseraufbereitung durchführen.
- Befolgen Sie bei der Erstinstallation oder späteren Wartung sorgfältig die Anweisungen in dieser Anleitung. Änderungen an Anschlüssen jeglicher Art oder Nichtbeachten dieser Anweisungen führen zum Erlöschen der Garantie.
- Vor Installation, Wartung oder Reparatur das Gerät stets von der Stromversorgung trennen.

## 7. POSITION UND MONTAGE

Die schwarze Kunststoffabdeckung hat vier Befestigungslöcher (A – FIG\_7-1). Dadurch wird eine einfache, zuverlässige und sichere Montage ermöglicht. Verwenden Sie zur Befestigung des Geräts den Satz Befestigungsmuttern (standardmäßig im Lieferumfang des Geräts enthalten).

Das Gerät muss so installiert werden, dass der Wärmetauscher und/oder der elektrische Widerstand im unteren Teil untergebracht sind (FIG\_7-2).

Zulässige Positionen:

- A, B, C\*: alle Ausführungen
- \*: Der Kühlwassereinlass muss mit dem Warmwasserauslass vertauscht werden. Bei den Ausführungen 56-47455-03 und 56-47455-01 bleibt die Wärmeleistung unverändert. Bei den anderen Ausführungen ist die C-Positionierung zulässig, die Wärmeleistung verringert sich allerdings.

Das Gerät kann ohne Einschränkungen in jedem Raum aufgestellt werden. Dies befreit nicht von der Einhaltung der Anweisungen im Abschnitt „Allgemeine Vorsichtsmaßnahmen“ weiter oben in dieser Anleitung.

## 8. WASSERANSCHLÜSSE UND WASSERQUALITÄT

Um die Lebensdauer des Geräts zu verlängern, muss die Wasserqualität den folgenden Parametern entsprechen, wie sie in der Europäischen Richtlinie 98/83/EG (über die Qualität von Wasser für den menschlichen Gebrauch) vorgeschrieben sind:

- Härte zwischen 15 und 50 °F (insbesondere, wenn das Wasser einer Enthärtungs- oder Entsalzungsbehandlung unterzogen wurde)
- Chloride zwischen 25 und 100 mg/l
- PH-Wert zwischen 6,5 und 9,5
- Leitfähigkeit zwischen 400 und 1500 µs/cm

Schließen Sie das Gerät wie folgt an (FIG\_8-1):

1. Kühlwassereinlass (1/2")
2. Warmwasserauslass (1/2")
3. Wasserzulauf zum Motorkühlkreis (1/2")
4. Wasserrücklauf vom Motorkühlkreis (1/2")

Wassereinlassdruck min.: 70 kPa

Es wird empfohlen, die Warmwasserleitungen zu isolieren, um unnötige Energieverschwendung zu vermeiden.

Rückschlag-/Sicherheitsventilbaugruppe: Das Ventil ist im Lieferumfang des Geräts enthalten und nicht zusammengebaut. Es muss bei der Installation des Geräts am Kühlwasserzulauf montiert werden. (S. – FIG\_8-1).



**ACHTUNG: Das mitgelieferte Sicherheits- und Rückschlagventil des Geräts nicht durch ein anderes (Klappen)Rückschlagventil ersetzen.**

**ACHTUNG: Den Wasserablass des Ventils an einen Gummischlauch mit Innendurchmesser 9,5 mm anschließen. Dieses Abflussrohr muss mit einem konstanten Gefälle und an einem frostsicheren Ort installiert werden.**

## 9. ELEKTROANSCHLÜSSE

Das Gerät muss an eine einphasige Stromversorgung (bitte stellen Sie den Anschluss des Geräts je nach Typenschild an die richtige Spannung 120 V oder 230 V sicher) und an eine ordnungsgemäße Erdung angeschlossen werden.



**DER HERSTELLER ÜBERNIMMT KEINERLEI HAFTUNG FÜR MÖGLICHE BESCHÄDIGUNGEN ODER VERLETZUNGEN, DIE DURCH EINE FEHLENDE ERDUNG DES GERÄTS VERURSACHT WERDEN.**

Das Gerät ist mit einem Netzkabel mit Schukostecker ausgestattet. Schließen Sie das Netzkabel gemäß den in dem Land, in dem das Gerät installiert wird, geltenden Verkabelungsvorschriften an. Verwenden Sie beim Austausch des Stromversorgungskabels ausschließlich ein Kabel mit den gleichen Eigenschaften (H05 VV-F – 3x1,5 mm<sup>2</sup>).

Falls der Schukostecker nicht benötigt wird, kann das Netzkabel abgeschnitten und an einen anderen Stecker oder direkt an den Netzanschluss angeschlossen werden. Achten Sie darauf, die Polaritäten ordnungsgemäß anzuschließen (FIG\_9-1):

- L-Phase → (braunes Kabel)
- N-Neutralleiter → (blaues Kabel)



Installieren Sie einen Zweipunktschalter in der Nähe des Geräts, um die Isolierung des Geräts zu ermöglichen.



**ACHTUNG: VOR ARBEITEN AM THERMOSTAT SICHERSTELLEN, DASS DIE STROMVERSORGUNG VOLLSTÄNDIG GETRENNT IST.**

## 10. GEBRAUCHSANWEISUNG

Das elektrische Heizelement ist mit einem Thermostat ausgestattet, das folgende Doppelfunktion hat:

1. Temperatureinstellung: (T – FIG\_9-1), die Stromversorgung des elektrischen Heizelements des Geräts wird unterbrochen, wenn die voreingestellte Temperatur erreicht ist (es ist möglich, das Thermostat je nach Bedarf auf zwischen 13 °C und 65 °C einzustellen).
2. Sicherheit: Unterbrechen der Stromversorgung des elektrischen Heizelements bei einer Fehlfunktion des Geräts, wenn die Temperatur des gespeicherten Wassers 83 °C erreicht. Um das Gerät neu zu starten, ist ein manueller Eingriff erforderlich (manuelles Zurücksetzen). In diesem Fall gehen Sie wie folgt vor:
  - a) Trennen Sie die Stromversorgung.
  - b) Entfernen Sie die Schutzkappe des elektrischen Heizelements.
  - c) Drücken Sie die Reset-Taste am Thermostat (R – FIG\_9-1).
  - d) Bringen Sie die Abdeckung an, um das elektrische Heizelement zu schützen.
  - e) Die Stromversorgung wiederherstellen.



**ACHTUNG: DIE STROMVERSORGUNG NUR DANN ANSCHLIESSEN, WENN DER BEHÄLTER MIT WASSER GEFÜLLT IST. DAS HEIZELEMENT IST NICHT FÜR TROCKENLAUF GEEIGNET.**

## 11. WARTUNG DES GERÄTS

Um den sicheren Betrieb des Geräts zu gewährleisten und seine Lebensdauer zu verlängern, wird empfohlen, das Gerät mindestens einmal jährlich von Fachpersonal überprüfen zu lassen.

Empfohlene Maßnahmen während der regelmäßigen Überprüfung:

- Wasseranschlüsse abdichten.
- Überprüfen, dass sich das Sicherheitsventil nicht gelöst hat und dass es nicht durch Kalkablagerungen blockiert ist.
- Überprüfen der Befestigung (ersetzen Sie abgenutzte Befestigungsschrauben).
- Überprüfen von Leistung der Elektroanlage und Erdung sowie Zustand des Stromkabels (bei Beschädigung muss es durch den Hersteller, den autorisierten technischen Kundendienst oder qualifiziertes Personal ausgetauscht werden).



**ACHTUNG: FROST KANN DAS GERÄT DAUERHAFT BESCHÄDIGEN. WENN DAS GERÄT WÄHREND DER KALTEN SAISON NICHT VERWENDET WIRD, ENTLEREEN SIE DAS GERÄT VOLLSTÄNDIG (VERWENDEN SIE DAS ABLASSVENTIL D (FIG\_08-1))**

Zur Reinigung des Außengehäuses (2 - FIG\_05-2) nur Wasser und Neutralseife verwenden. Es wird empfohlen, ein weiches Tuch zu verwenden und darauf zu achten, dass es gründlich abgespült und getrocknet wird. Produkte mit abrasiven Stoffen dürfen nicht verwendet werden.

## 12. GEWÄHRLEISTUNG

Die Garantiebedingungen gelten unter der Voraussetzung, dass die Installationsanweisungen in dieser Broschüre eingehalten werden. Die Garantie beginnt mit dem Datum des Erwerbs durch den Verbraucher, Nachweis durch Kaufbeleg:

- 5 Jahre ab Kaufdatum, beschränkt auf Behälterleckage (funktionsentscheidende Komponente des Geräts).
- 3 Jahre auf sonstige Komponenten wie das elektrische Heizelement.

Aus Sicherheitsgründen und für die Gültigkeit der Garantie dürfen nur Originalersatzteile verwendet werden.

## 13. ZUBEHÖR ERHÄLTICH AUF ANFRAGE

56-47464-01	AQUAH THERMOSTATISCHER MISCHERSATZ (Abb. FIG_13-1)	Ermöglicht die Einstellung einer konstanten Warmwassertemperatur (zwischen 30 °C und 65 °C)
56-A.BGOM	AQUAH SCHLAUCHANSCHLUSSSATZ (FIG_13-2)	Ermöglicht Wasseranschlüsse über Gummischläuche anstelle von Gewindeanschlüssen





## 14. HAUPTERSATZTEILE (FIG\_14-1)

DE

			22 l	30 l	45 l	60 l	80 l	22 l	30 l	45 l	60 l	80 l
			550 W	550 W	550 W	550 W	550 W	1250 W	1250 W	1250 W	1250 W	1250 W
			56-47455-03	56-47456-03	56-47457-03	56-47458-03	56-47459-03	56-47455-01	56-47456-01	56-47457-01	56-47458-01	56-47459-01
1	56-A.020-0052	SCHUTZ	x	x	x	x	x	x	x	x	x	x
2	56-A.100-0086	DICHTUNG	x	x	x	x	x	x	x	x	x	x
3	56-A.130-0057	ABLASSHAHN	x	x	x	x	x	x	x	x	x	x
4	56-A.130-0081	FITTING 14x1/2" M	x	x	x	x	x	x	x	x	x	x
5	56-A.130-0092	RÜCKSCHLAG- UND SICHERHEITSVENTIL	x	x	x	x	x	x	x	x	x	x
6	56-A.130-0099	FITTING 18x1/2" M	x	x	x	x	x	x	x	x	x	x
7	56-A.140-0007	KABELTÜLLE	x	x	x	x	x	x	x	x	x	x
8	56-A.280-0014	ELEKTRISCHES HEIZELEMENT 550 W	x	x	x	x	x					
8	56-A.280-0016	ELEKTRISCHES HEIZELEMENT 1250 W						x	x	x	x	x
9	56-A.280-0042	EINSTELLBARES THERMOSTAT	x	x	x	x	x	x	x	x	x	x
10	56-A.900-0135	STROMKABEL	x	x	x	x	x	x	x	x	x	x

Weitere Informationen zu unseren weltweiten Niederlassungen, Berechtigungen, Zertifizierungen und Vertretern vor Ort finden Sie unter [www.spxflow.com](http://www.spxflow.com). SPX Flow Technology behält sich das Recht vor, Änderungen an seinen Designs und Materialien ohne vorherige Ankündigung oder Verpflichtung vorzunehmen. Die in diesem Bulletin beschriebenen Konstruktionsmerkmale, Baumaterialien und Maßangaben dienen nur zu Ihrer Information und unterliegen keiner Verpflichtung, es sei denn, dies wurde schriftlich genehmigt.



Made by SPX FLOW Johnson Pump®

RELIABILITY ON BOARD  
-SINCE 1968-

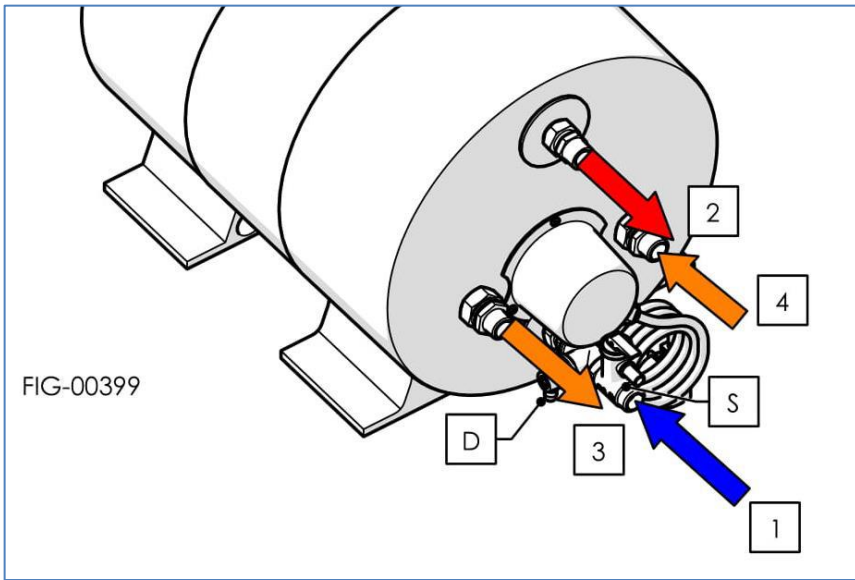
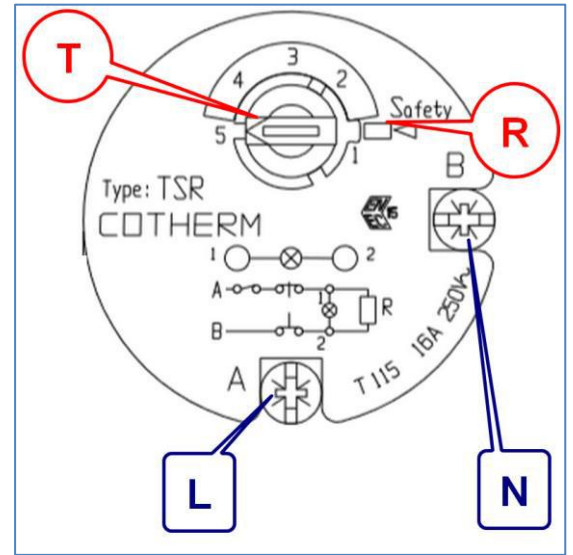


FIG-00399

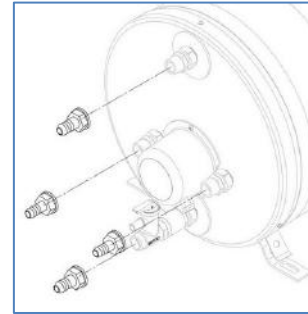
FIG\_08-1



FIG\_13-1



FIG\_09-1



FIG\_13-2

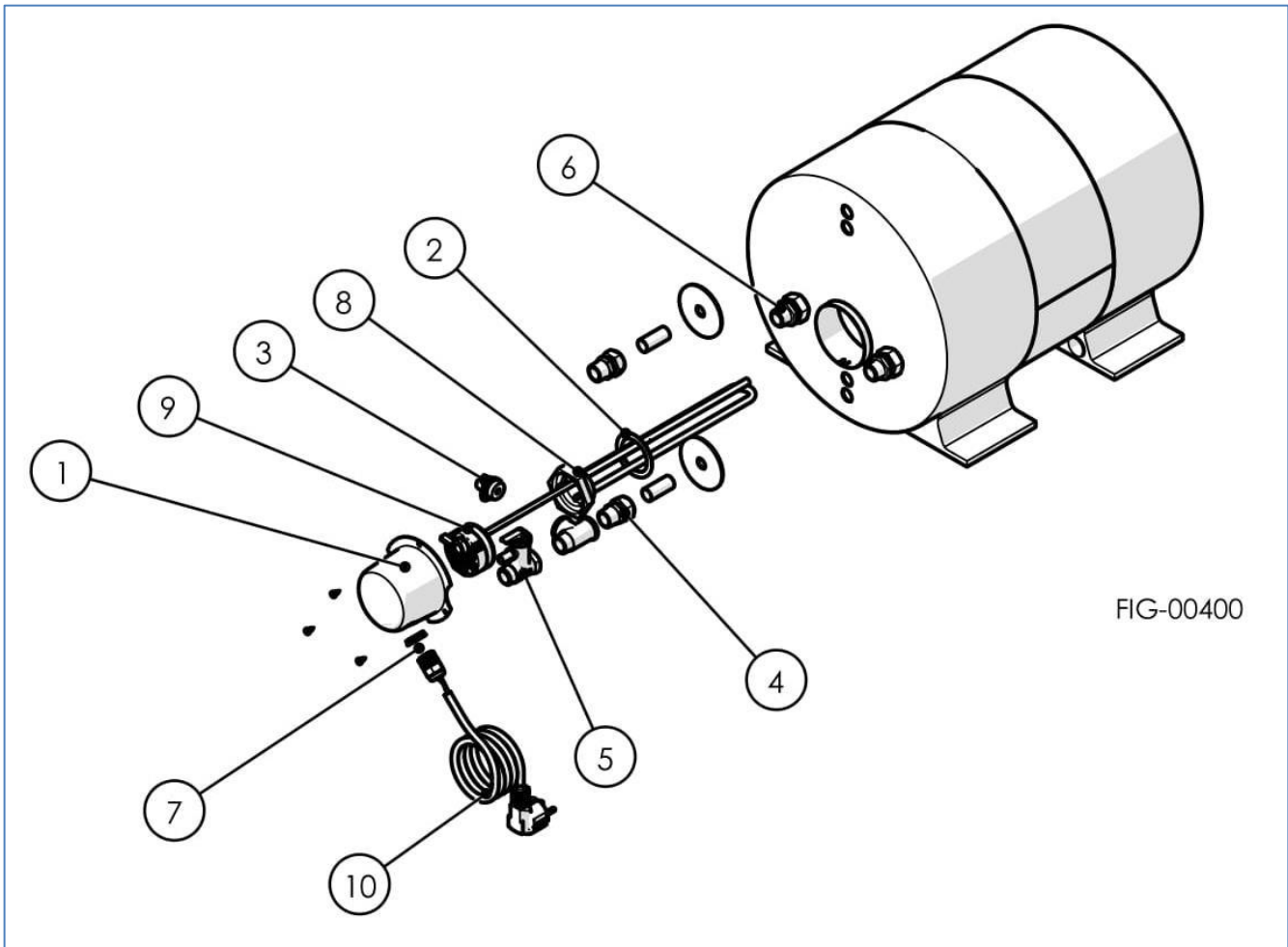


FIG-00400

FIG\_14-1

AquaH

MARINE WATER HEATERS

**SPXFLOW**

**Customer Service & Support - Johnson Pump Marine**

**US** +1 800 541 1418  
johnson-pump.americas.marine@spxflow.com

**SE** +46 19 21 83 10  
johnson-pump.marine@spxflow.com

**AUS** +61 03 9589 9222  
ft.aus.cs@spxflow.com

For more information about our worldwide locations, approvals, certifications, and local representatives, please visit [www.spxflow.com/johnson-pump-marine](http://www.spxflow.com/johnson-pump-marine)

---

SPX FLOW, Inc. reserves the right to incorporate our latest design and material changes without notice or obligation.

Design features, materials of construction and dimensional data, as described in this bulletin, are provided for your information only and should not be relied upon unless confirmed in writing. Please contact your local sales representative for product availability in your region. For more information visit [www.spxflow.com](http://www.spxflow.com).

The green "X" and "X" are trademarks of SPX FLOW, Inc.

---

IB-912/R09 (210-0329) ISSUED 02/2022

COPYRIGHT © 2022 SPX FLOW INC.